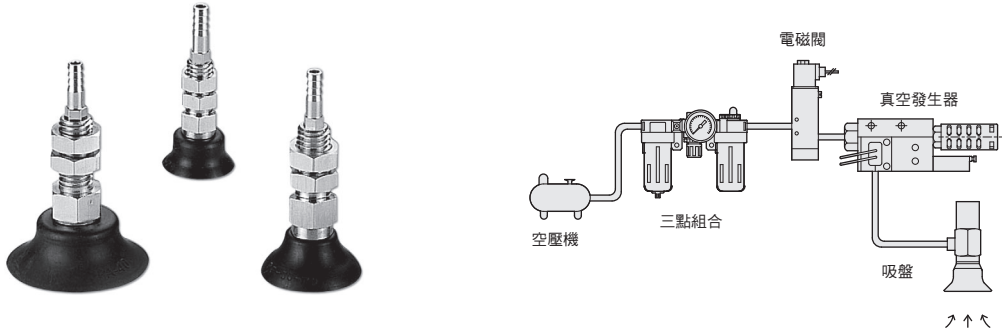


真空吸盤 / 單層吸盤

理論吸著力與材質特性

CHELIC

真空吸盤使用概略



理論吸著力

● 圓形吸盤

| 吸盤徑 (Ømm) | 2 | 3.5 | 5 | 6 | 8 | 10 | 15 | 20 | 25 | 30 | 35 | 40 | 50 | 60 | 80 | 95 | 100 | 120 | 150 | 200 |
|--------------------------|------------------|------------------|------------------|------------------|------------------|------------------|------------------|------------------|------------------|------------------|------------------|------------------|------------------|------------------|------------------|------------------|------------------|------------------|------------------|-----------------|
| 吸盤面積 (cm ²) | 0.031 | 0.096 | 0.196 | 0.282 | 0.502 | 0.785 | 1.767 | 3.141 | 4.908 | 7.068 | 9.621 | 12.56 | 19.63 | 28.27 | 50.26 | 70.88 | 78.53 | 113.0 | 176.7 | 314.1 |
| -93.3 kpa -700 (mmHg) | 0.293 [0.029] | 0.900 [0.091] | 1.837 [0.186] | 2.645 [0.269] | 4.703 [0.478] | 7.349 [0.747] | 16.53 [1.681] | 29.39 [2.989] | 45.93 [4.670] | 66.14 [6.725] | 90.03 [9.153] | 117.5 [11.95] | 183.7 [18.68] | 264.5 [26.90] | 470.3 [47.82] | 663.2 [67.44] | 734.9 [74.79] | 1058 [107.6] | 1653 [168.1] | 2939 [298.9] |
| -80.8 kpa -600 (mmHg) | 0.254 [0.025] | 0.779 [0.078] | 1.591 [0.160] | 2.291 [0.230] | 4.073 [0.409] | 6.364 [1.441] | 14.32 [1.441] | 25.45 [4.003] | 39.78 [5.764] | 57.28 [7.846] | 77.96 [10.24] | 101.8 [16.01] | 159.1 [23.05] | 229.1 [40.99] | 407.3 [57.8] | 574.4 [63.05] | 636.4 [92.23] | 916.5 [144.1] | 1432 [256.2] | 2545 [256.2] |
| -66.7 kpa -500 (mmHg) | 0.210 [0.021] | 0.648 [0.065] | 1.313 [0.133] | 1.891 [0.192] | 3.362 [0.341] | 5.254 [1.200] | 11.82 [2.135] | 21.01 [3.336] | 32.83 [4.083] | 47.28 [6.538] | 64.36 [8.540] | 84.06 [13.34] | 131.3 [19.21] | 189.1 [34.16] | 336.2 [48.17] | 474.1 [53.37] | 525.4 [76.86] | 756.5 [120.0] | 1182 [213.5] | 2101 [213.5] |
| -53.4 kpa -400 (mmHg) | 0.168 [0.017] | 0.515 [0.052] | 1.051 [0.106] | 1.514 [0.153] | 2.692 [0.273] | 4.206 [0.427] | 9.464 [1.708] | 16.82 [2.668] | 26.29 [3.843] | 37.85 [5.230] | 51.52 [6.832] | 67.30 [10.67] | 105.1 [15.37] | 151.4 [27.32] | 269.2 [38.53] | 379.6 [42.70] | 420.6 [61.48] | 605.7 [96.07] | 947.4 [170.8] | 1682 [170.8] |
| -40.0 kpa -300 (mmHg) | 0.126 [0.012] | 0.385 [0.039] | 0.787 [0.080] | 1.134 [0.115] | 2.016 [0.204] | 3.150 [0.320] | 7.089 [1.281] | 12.60 [2.001] | 19.69 [2.882] | 28.35 [3.923] | 38.59 [5.124] | 50.41 [8.006] | 78.77 [11.52] | 113.4 [20.49] | 201.6 [28.90] | 284.3 [32.02] | 315.0 [46.11] | 453.7 [72.05] | 708.9 [128.1] | 1260 [128.1] |

● 橢圓形吸盤

| 吸盤徑 (Ømm) | 2 x 4 | 3.5 x 7 | 4 x 10 | 4 x 20 | 4 x 30 | 5 x 10 | 5 x 20 | 5 x 30 | 6 x 10 | 6 x 20 | 6 x 30 | 8 x 20 | 8 x 30 |
|--------------------------|------------------|------------------|------------------|------------------|-------------------|------------------|------------------|------------------|------------------|------------------|------------------|------------------|------------------|
| 吸盤面積 (cm ²) | 0.071 | 0.218 | 0.365 | 0.765 | 1.165 | 0.446 | 0.946 | 1.446 | 0.522 | 1.122 | 1.722 | 1.462 | 2.262 |
| -93.3 kpa -700 (mmHg) | 0.664 [0.068] | 2.04 [0.207] | 3.416 [0.347] | 7.159 [7.28] | 10.902 [1.108] | 4.173 [0.424] | 8.852 [0.900] | 13.35 [1.375] | 4.884 [0.496] | 10.49 [1.067] | 16.11 [1.638] | 13.68 [1.391] | 21.16 [2.152] |
| -80.8 kpa -600 (mmHg) | 0.575 [0.058] | 1.767 [0.178] | 2.958 [0.298] | 6.200 [0.624] | 9.441 [0.950] | 3.614 [0.363] | 7.666 [0.771] | 11.71 [1.179] | 4.230 [0.425] | 9.092 [0.915] | 13.95 [1.404] | 11.84 [1.192] | 18.33 [1.844] |
| -66.7 kpa -500 (mmHg) | 0.475 [0.048] | 1.158 [0.148] | 2.442 [0.248] | 5.118 [0.529] | 7.794 [0.792] | 2.983 [0.303] | 6.328 [0.642] | 9.673 [0.982] | 3.492 [0.354] | 7.750 [0.762] | 11.51 [1.170] | 9.780 [0.993] | 15.13 [1.537] |
| -53.4 kpa -400 (mmHg) | 0.380 [0.039] | 1.168 [0.119] | 1.955 [0.198] | 4.097 [0.416] | 6.240 [0.633] | 2.388 [0.242] | 5.066 [0.514] | 7.744 [0.786] | 2.795 [0.283] | 6.009 [0.610] | 9.222 [0.936] | 7.830 [0.794] | 12.11 [1.229] |
| -40.0 kpa -300 (mmHg) | 0.285 [0.029] | 0.875 [0.089] | 1.464 [0.149] | 3.069 [0.312] | 4.673 [0.475] | 1.789 [0.181] | 3.795 [0.385] | 5.801 [0.589] | 2.094 [0.212] | 4.501 [0.457] | 6.908 [0.702] | 5.865 [0.596] | 9.074 [0.922] |

吸盤材質與特性

| 材料 | 項目 | 拉伸程度 | 延伸性 | 耐油性 (汽油) | 耐油性 (茶) | 耐氣候 | 耐臭氧 | 耐熱性 | 耐寒性 | 耐藥品 | 耐磨耗性 | 耐酸性 | 耐水性 | 電氣絕緣 | 硬度HS |
|--------------|----|------|-----|----------|---------|-----|-----|-----|-----|-----|------|-----|-----|------------------------------------|--------|
| NBR (N) | | ◎ | ◎ | ◎ | △ | ○ | ○ | ○ | × | ◎ | ○ | ○ | ◎ | ○ | 70 ± 5 |
| 矽膠 (S) | | △ | ○ | △ | △ | ○ | ○ | ○ | ◎ | ◎ | × | × | ○ | ◎ | 50 ± 5 |
| PU膠 (U) | | ◎ | ◎ | ◎ | ○ | ◎ | ◎ | × | ○ | ◎ | ◎ | × | △ | ◎ | 70 ± 5 |
| 防靜電橡膠 (SE) | | △ | ○ | △ | △ | ○ | ○ | ○ | ◎ | ◎ | × | × | ○ | 10 ⁴ ~10 ⁵ Ω | 50 ± 5 |
| 低阻抗防靜電橡膠 (E) | | △ | ○ | × | × | ○ | × | ○ | ◎ | ◎ | × | △ | ○ | 200Ω | 50 ± 5 |

說明：◎適合；○條件上適合；△不適合；×不可使用

PA
真空吸盤
單層型

PB
真空吸盤
雙層型

PC
真空吸盤
三層型

PAG
薄型吸盤

PAO
防滑吸盤

PAW
橢圓型吸盤

PAP
平板型吸盤

PAQ
無痕型吸盤

PAL
不迴轉
真空吸盤

PBL
不迴轉
真空吸盤

PCL
不迴轉
真空吸盤

PAR
擺動
支架組

PS
非接觸式
吸盤

PS
非接觸式
吸盤



真空吸盤 / 單層吸盤

吸盤之選定要領與訂購稱呼說明

氣立可空氣壓設備

◎ 訂購稱呼代號

| PA | F | 10 | x | | - | N | - | R | | | | | | | | | | | | | | | | | | | | | | | | | | | | | | | | | | | | | | | | | | | | | | | | | | | | | | | | | | | | | | | | | | | | | | | | | | | | | | | | | | | | | | | | | | | | | | | | | | | | | | | | | | | | | | | | | | | | | | | | | | | | | | | | | | | | | | | | | | | | | | | | | | | | | | | | | | | | | | | |
|----------------|---|--|----|---------|----|------|-----|--------|----|----|----|----|----|----|----|-----|----|-----|----|-----|----|-----|----|-----|----|-----|----|-----|----|-----|----|-----|----|-----|-----|------|-----|------|-----|------|-----|------|--|--|----|----|---------|----|-----|--------|--|---|------|-----|-----|--------|--|---|------|----|---|------|--|----|-------|----|---|------|--|----|-------|----|---|------|--|----|-------|----|---|------|--|----|-------|----|---|------|--|----|-------|----|---|------|--|----|-------|----|---|------|--|----|-------|----|---|------|--|----|-------|----|---|------|--|----|-------|----|---|------|--|----|-------|----|---|------|--|----|-------|--|--|---|----|----|---------|----|----|-------|--|----|-------|----|----|-------|--|----|-------|-----|----|-------|--|----|-------|-----|----|-------|-----|----|-------|-----|----|-------|---|------|-----------|--------|---------|--------|---------|--------|----------|
| 真空吸盤 | 支架型式 | 吸盤直徑 | | 行程 | | 吸盤材質 | | 附擺動支架組 | | | | | | | | | | | | | | | | | | | | | | | | | | | | | | | | | | | | | | | | | | | | | | | | | | | | | | | | | | | | | | | | | | | | | | | | | | | | | | | | | | | | | | | | | | | | | | | | | | | | | | | | | | | | | | | | | | | | | | | | | | | | | | | | | | | | | | | | | | | | | | | | | | | | | | | | | | | | | | | |
| PA 單層型 真空吸盤 | 直立配管 F 直立配管 K 側向配管 T 直立彈簧型 FS 側向彈簧型 TS | <table border="1"> <thead> <tr> <th>記號</th> <th>直徑 (mm)</th> </tr> </thead> <tbody> <tr><td>02</td><td>Ø2</td></tr> <tr><td>3.5</td><td>Ø3.5</td></tr> <tr><td>05</td><td>Ø5</td></tr> <tr><td>06</td><td>Ø6</td></tr> <tr><td>08</td><td>Ø8</td></tr> <tr><td>10</td><td>Ø10</td></tr> <tr><td>15</td><td>Ø15</td></tr> <tr><td>20</td><td>Ø20</td></tr> <tr><td>25</td><td>Ø25</td></tr> <tr><td>30</td><td>Ø30</td></tr> <tr><td>35</td><td>Ø35</td></tr> <tr><td>40</td><td>Ø40</td></tr> <tr><td>50</td><td>Ø50</td></tr> <tr><td>60</td><td>Ø60</td></tr> <tr><td>80</td><td>Ø80</td></tr> <tr><td>100</td><td>Ø100</td></tr> <tr><td>120</td><td>Ø120</td></tr> <tr><td>150</td><td>Ø150</td></tr> <tr><td>200</td><td>Ø200</td></tr> </tbody> </table> | 記號 | 直徑 (mm) | 02 | Ø2 | 3.5 | Ø3.5 | 05 | Ø5 | 06 | Ø6 | 08 | Ø8 | 10 | Ø10 | 15 | Ø15 | 20 | Ø20 | 25 | Ø25 | 30 | Ø30 | 35 | Ø35 | 40 | Ø40 | 50 | Ø50 | 60 | Ø60 | 80 | Ø80 | 100 | Ø100 | 120 | Ø120 | 150 | Ø150 | 200 | Ø200 | | <table border="1"> <thead> <tr> <th>規格</th> <th>記號</th> <th>行程 (mm)</th> </tr> </thead> <tbody> <tr><td>02</td><td>2.5</td><td>2.5 mm</td></tr> <tr><td></td><td>5</td><td>5 mm</td></tr> <tr><td>3.5</td><td>2.5</td><td>2.5 mm</td></tr> <tr><td></td><td>5</td><td>5 mm</td></tr> <tr><td>05</td><td>3</td><td>3 mm</td></tr> <tr><td></td><td>10</td><td>10 mm</td></tr> <tr><td>06</td><td>3</td><td>3 mm</td></tr> <tr><td></td><td>10</td><td>10 mm</td></tr> <tr><td>08</td><td>3</td><td>3 mm</td></tr> <tr><td></td><td>10</td><td>10 mm</td></tr> <tr><td>10</td><td>4</td><td>4 mm</td></tr> <tr><td></td><td>10</td><td>10 mm</td></tr> <tr><td>15</td><td>4</td><td>4 mm</td></tr> <tr><td></td><td>10</td><td>10 mm</td></tr> <tr><td>20</td><td>6</td><td>6 mm</td></tr> <tr><td></td><td>15</td><td>15 mm</td></tr> <tr><td>25</td><td>6</td><td>6 mm</td></tr> <tr><td></td><td>15</td><td>15 mm</td></tr> <tr><td>30</td><td>6</td><td>6 mm</td></tr> <tr><td></td><td>15</td><td>15 mm</td></tr> <tr><td>35</td><td>6</td><td>6 mm</td></tr> <tr><td></td><td>15</td><td>15 mm</td></tr> <tr><td>40</td><td>6</td><td>6 mm</td></tr> <tr><td></td><td>15</td><td>15 mm</td></tr> <tr><td>50</td><td>6</td><td>6 mm</td></tr> <tr><td></td><td>15</td><td>15 mm</td></tr> </tbody> </table> | 規格 | 記號 | 行程 (mm) | 02 | 2.5 | 2.5 mm | | 5 | 5 mm | 3.5 | 2.5 | 2.5 mm | | 5 | 5 mm | 05 | 3 | 3 mm | | 10 | 10 mm | 06 | 3 | 3 mm | | 10 | 10 mm | 08 | 3 | 3 mm | | 10 | 10 mm | 10 | 4 | 4 mm | | 10 | 10 mm | 15 | 4 | 4 mm | | 10 | 10 mm | 20 | 6 | 6 mm | | 15 | 15 mm | 25 | 6 | 6 mm | | 15 | 15 mm | 30 | 6 | 6 mm | | 15 | 15 mm | 35 | 6 | 6 mm | | 15 | 15 mm | 40 | 6 | 6 mm | | 15 | 15 mm | 50 | 6 | 6 mm | | 15 | 15 mm | | N: NBR 材質(黑) (標準型) S: 矽膠(Silicon) 矽橡膠 U: PU膠 (Uret-hane) SE: 防靜電橡膠 (表面電阻 $10^4 \sim 10^6 \Omega$) E: 低阻抗防靜電橡膠 (表面電阻200Ω) | <table border="1"> <thead> <tr> <th>規格</th> <th>記號</th> <th>行程 (mm)</th> </tr> </thead> <tbody> <tr><td>60</td><td>10</td><td>10 mm</td></tr> <tr><td></td><td>30</td><td>30 mm</td></tr> <tr><td>80</td><td>10</td><td>10 mm</td></tr> <tr><td></td><td>30</td><td>30 mm</td></tr> <tr><td>100</td><td>15</td><td>15 mm</td></tr> <tr><td></td><td>30</td><td>30 mm</td></tr> <tr><td>120</td><td>30</td><td>30 mm</td></tr> <tr><td>150</td><td>30</td><td>30 mm</td></tr> <tr><td>200</td><td>30</td><td>30 mm</td></tr> </tbody> </table> | 規格 | 記號 | 行程 (mm) | 60 | 10 | 10 mm | | 30 | 30 mm | 80 | 10 | 10 mm | | 30 | 30 mm | 100 | 15 | 15 mm | | 30 | 30 mm | 120 | 30 | 30 mm | 150 | 30 | 30 mm | 200 | 30 | 30 mm | <table border="1"> <thead> <tr> <th>迴轉支架</th> <th>吸盤外徑 (mm)</th> </tr> </thead> <tbody> <tr><td>PAR 05</td><td>Ø05~Ø15</td></tr> <tr><td>PAR 20</td><td>Ø20~Ø50</td></tr> <tr><td>PAR 60</td><td>Ø60, Ø80</td></tr> </tbody> </table> <p>註: 根據前項吸盤規格選型, 搭配適用擺動支架組, 尺寸詳見P.3-2.16</p> | 迴轉支架 | 吸盤外徑 (mm) | PAR 05 | Ø05~Ø15 | PAR 20 | Ø20~Ø50 | PAR 60 | Ø60, Ø80 |
| 記號 | 直徑 (mm) | | | | | | | | | | | | | | | | | | | | | | | | | | | | | | | | | | | | | | | | | | | | | | | | | | | | | | | | | | | | | | | | | | | | | | | | | | | | | | | | | | | | | | | | | | | | | | | | | | | | | | | | | | | | | | | | | | | | | | | | | | | | | | | | | | | | | | | | | | | | | | | | | | | | | | | | | | | | | | | | | | | | | | |
| 02 | Ø2 | | | | | | | | | | | | | | | | | | | | | | | | | | | | | | | | | | | | | | | | | | | | | | | | | | | | | | | | | | | | | | | | | | | | | | | | | | | | | | | | | | | | | | | | | | | | | | | | | | | | | | | | | | | | | | | | | | | | | | | | | | | | | | | | | | | | | | | | | | | | | | | | | | | | | | | | | | | | | | | | | | | | | | |
| 3.5 | Ø3.5 | | | | | | | | | | | | | | | | | | | | | | | | | | | | | | | | | | | | | | | | | | | | | | | | | | | | | | | | | | | | | | | | | | | | | | | | | | | | | | | | | | | | | | | | | | | | | | | | | | | | | | | | | | | | | | | | | | | | | | | | | | | | | | | | | | | | | | | | | | | | | | | | | | | | | | | | | | | | | | | | | | | | | | |
| 05 | Ø5 | | | | | | | | | | | | | | | | | | | | | | | | | | | | | | | | | | | | | | | | | | | | | | | | | | | | | | | | | | | | | | | | | | | | | | | | | | | | | | | | | | | | | | | | | | | | | | | | | | | | | | | | | | | | | | | | | | | | | | | | | | | | | | | | | | | | | | | | | | | | | | | | | | | | | | | | | | | | | | | | | | | | | | |
| 06 | Ø6 | | | | | | | | | | | | | | | | | | | | | | | | | | | | | | | | | | | | | | | | | | | | | | | | | | | | | | | | | | | | | | | | | | | | | | | | | | | | | | | | | | | | | | | | | | | | | | | | | | | | | | | | | | | | | | | | | | | | | | | | | | | | | | | | | | | | | | | | | | | | | | | | | | | | | | | | | | | | | | | | | | | | | | |
| 08 | Ø8 | | | | | | | | | | | | | | | | | | | | | | | | | | | | | | | | | | | | | | | | | | | | | | | | | | | | | | | | | | | | | | | | | | | | | | | | | | | | | | | | | | | | | | | | | | | | | | | | | | | | | | | | | | | | | | | | | | | | | | | | | | | | | | | | | | | | | | | | | | | | | | | | | | | | | | | | | | | | | | | | | | | | | | |
| 10 | Ø10 | | | | | | | | | | | | | | | | | | | | | | | | | | | | | | | | | | | | | | | | | | | | | | | | | | | | | | | | | | | | | | | | | | | | | | | | | | | | | | | | | | | | | | | | | | | | | | | | | | | | | | | | | | | | | | | | | | | | | | | | | | | | | | | | | | | | | | | | | | | | | | | | | | | | | | | | | | | | | | | | | | | | | | |
| 15 | Ø15 | | | | | | | | | | | | | | | | | | | | | | | | | | | | | | | | | | | | | | | | | | | | | | | | | | | | | | | | | | | | | | | | | | | | | | | | | | | | | | | | | | | | | | | | | | | | | | | | | | | | | | | | | | | | | | | | | | | | | | | | | | | | | | | | | | | | | | | | | | | | | | | | | | | | | | | | | | | | | | | | | | | | | | |
| 20 | Ø20 | | | | | | | | | | | | | | | | | | | | | | | | | | | | | | | | | | | | | | | | | | | | | | | | | | | | | | | | | | | | | | | | | | | | | | | | | | | | | | | | | | | | | | | | | | | | | | | | | | | | | | | | | | | | | | | | | | | | | | | | | | | | | | | | | | | | | | | | | | | | | | | | | | | | | | | | | | | | | | | | | | | | | | |
| 25 | Ø25 | | | | | | | | | | | | | | | | | | | | | | | | | | | | | | | | | | | | | | | | | | | | | | | | | | | | | | | | | | | | | | | | | | | | | | | | | | | | | | | | | | | | | | | | | | | | | | | | | | | | | | | | | | | | | | | | | | | | | | | | | | | | | | | | | | | | | | | | | | | | | | | | | | | | | | | | | | | | | | | | | | | | | | |
| 30 | Ø30 | | | | | | | | | | | | | | | | | | | | | | | | | | | | | | | | | | | | | | | | | | | | | | | | | | | | | | | | | | | | | | | | | | | | | | | | | | | | | | | | | | | | | | | | | | | | | | | | | | | | | | | | | | | | | | | | | | | | | | | | | | | | | | | | | | | | | | | | | | | | | | | | | | | | | | | | | | | | | | | | | | | | | | |
| 35 | Ø35 | | | | | | | | | | | | | | | | | | | | | | | | | | | | | | | | | | | | | | | | | | | | | | | | | | | | | | | | | | | | | | | | | | | | | | | | | | | | | | | | | | | | | | | | | | | | | | | | | | | | | | | | | | | | | | | | | | | | | | | | | | | | | | | | | | | | | | | | | | | | | | | | | | | | | | | | | | | | | | | | | | | | | | |
| 40 | Ø40 | | | | | | | | | | | | | | | | | | | | | | | | | | | | | | | | | | | | | | | | | | | | | | | | | | | | | | | | | | | | | | | | | | | | | | | | | | | | | | | | | | | | | | | | | | | | | | | | | | | | | | | | | | | | | | | | | | | | | | | | | | | | | | | | | | | | | | | | | | | | | | | | | | | | | | | | | | | | | | | | | | | | | | |
| 50 | Ø50 | | | | | | | | | | | | | | | | | | | | | | | | | | | | | | | | | | | | | | | | | | | | | | | | | | | | | | | | | | | | | | | | | | | | | | | | | | | | | | | | | | | | | | | | | | | | | | | | | | | | | | | | | | | | | | | | | | | | | | | | | | | | | | | | | | | | | | | | | | | | | | | | | | | | | | | | | | | | | | | | | | | | | | |
| 60 | Ø60 | | | | | | | | | | | | | | | | | | | | | | | | | | | | | | | | | | | | | | | | | | | | | | | | | | | | | | | | | | | | | | | | | | | | | | | | | | | | | | | | | | | | | | | | | | | | | | | | | | | | | | | | | | | | | | | | | | | | | | | | | | | | | | | | | | | | | | | | | | | | | | | | | | | | | | | | | | | | | | | | | | | | | | |
| 80 | Ø80 | | | | | | | | | | | | | | | | | | | | | | | | | | | | | | | | | | | | | | | | | | | | | | | | | | | | | | | | | | | | | | | | | | | | | | | | | | | | | | | | | | | | | | | | | | | | | | | | | | | | | | | | | | | | | | | | | | | | | | | | | | | | | | | | | | | | | | | | | | | | | | | | | | | | | | | | | | | | | | | | | | | | | | |
| 100 | Ø100 | | | | | | | | | | | | | | | | | | | | | | | | | | | | | | | | | | | | | | | | | | | | | | | | | | | | | | | | | | | | | | | | | | | | | | | | | | | | | | | | | | | | | | | | | | | | | | | | | | | | | | | | | | | | | | | | | | | | | | | | | | | | | | | | | | | | | | | | | | | | | | | | | | | | | | | | | | | | | | | | | | | | | | |
| 120 | Ø120 | | | | | | | | | | | | | | | | | | | | | | | | | | | | | | | | | | | | | | | | | | | | | | | | | | | | | | | | | | | | | | | | | | | | | | | | | | | | | | | | | | | | | | | | | | | | | | | | | | | | | | | | | | | | | | | | | | | | | | | | | | | | | | | | | | | | | | | | | | | | | | | | | | | | | | | | | | | | | | | | | | | | | | |
| 150 | Ø150 | | | | | | | | | | | | | | | | | | | | | | | | | | | | | | | | | | | | | | | | | | | | | | | | | | | | | | | | | | | | | | | | | | | | | | | | | | | | | | | | | | | | | | | | | | | | | | | | | | | | | | | | | | | | | | | | | | | | | | | | | | | | | | | | | | | | | | | | | | | | | | | | | | | | | | | | | | | | | | | | | | | | | | |
| 200 | Ø200 | | | | | | | | | | | | | | | | | | | | | | | | | | | | | | | | | | | | | | | | | | | | | | | | | | | | | | | | | | | | | | | | | | | | | | | | | | | | | | | | | | | | | | | | | | | | | | | | | | | | | | | | | | | | | | | | | | | | | | | | | | | | | | | | | | | | | | | | | | | | | | | | | | | | | | | | | | | | | | | | | | | | | | |
| 規格 | 記號 | 行程 (mm) | | | | | | | | | | | | | | | | | | | | | | | | | | | | | | | | | | | | | | | | | | | | | | | | | | | | | | | | | | | | | | | | | | | | | | | | | | | | | | | | | | | | | | | | | | | | | | | | | | | | | | | | | | | | | | | | | | | | | | | | | | | | | | | | | | | | | | | | | | | | | | | | | | | | | | | | | | | | | | | | | | | | | |
| 02 | 2.5 | 2.5 mm | | | | | | | | | | | | | | | | | | | | | | | | | | | | | | | | | | | | | | | | | | | | | | | | | | | | | | | | | | | | | | | | | | | | | | | | | | | | | | | | | | | | | | | | | | | | | | | | | | | | | | | | | | | | | | | | | | | | | | | | | | | | | | | | | | | | | | | | | | | | | | | | | | | | | | | | | | | | | | | | | | | | | |
| | 5 | 5 mm | | | | | | | | | | | | | | | | | | | | | | | | | | | | | | | | | | | | | | | | | | | | | | | | | | | | | | | | | | | | | | | | | | | | | | | | | | | | | | | | | | | | | | | | | | | | | | | | | | | | | | | | | | | | | | | | | | | | | | | | | | | | | | | | | | | | | | | | | | | | | | | | | | | | | | | | | | | | | | | | | | | | | |
| 3.5 | 2.5 | 2.5 mm | | | | | | | | | | | | | | | | | | | | | | | | | | | | | | | | | | | | | | | | | | | | | | | | | | | | | | | | | | | | | | | | | | | | | | | | | | | | | | | | | | | | | | | | | | | | | | | | | | | | | | | | | | | | | | | | | | | | | | | | | | | | | | | | | | | | | | | | | | | | | | | | | | | | | | | | | | | | | | | | | | | | | |
| | 5 | 5 mm | | | | | | | | | | | | | | | | | | | | | | | | | | | | | | | | | | | | | | | | | | | | | | | | | | | | | | | | | | | | | | | | | | | | | | | | | | | | | | | | | | | | | | | | | | | | | | | | | | | | | | | | | | | | | | | | | | | | | | | | | | | | | | | | | | | | | | | | | | | | | | | | | | | | | | | | | | | | | | | | | | | | | |
| 05 | 3 | 3 mm | | | | | | | | | | | | | | | | | | | | | | | | | | | | | | | | | | | | | | | | | | | | | | | | | | | | | | | | | | | | | | | | | | | | | | | | | | | | | | | | | | | | | | | | | | | | | | | | | | | | | | | | | | | | | | | | | | | | | | | | | | | | | | | | | | | | | | | | | | | | | | | | | | | | | | | | | | | | | | | | | | | | | |
| | 10 | 10 mm | | | | | | | | | | | | | | | | | | | | | | | | | | | | | | | | | | | | | | | | | | | | | | | | | | | | | | | | | | | | | | | | | | | | | | | | | | | | | | | | | | | | | | | | | | | | | | | | | | | | | | | | | | | | | | | | | | | | | | | | | | | | | | | | | | | | | | | | | | | | | | | | | | | | | | | | | | | | | | | | | | | | | |
| 06 | 3 | 3 mm | | | | | | | | | | | | | | | | | | | | | | | | | | | | | | | | | | | | | | | | | | | | | | | | | | | | | | | | | | | | | | | | | | | | | | | | | | | | | | | | | | | | | | | | | | | | | | | | | | | | | | | | | | | | | | | | | | | | | | | | | | | | | | | | | | | | | | | | | | | | | | | | | | | | | | | | | | | | | | | | | | | | | |
| | 10 | 10 mm | | | | | | | | | | | | | | | | | | | | | | | | | | | | | | | | | | | | | | | | | | | | | | | | | | | | | | | | | | | | | | | | | | | | | | | | | | | | | | | | | | | | | | | | | | | | | | | | | | | | | | | | | | | | | | | | | | | | | | | | | | | | | | | | | | | | | | | | | | | | | | | | | | | | | | | | | | | | | | | | | | | | | |
| 08 | 3 | 3 mm | | | | | | | | | | | | | | | | | | | | | | | | | | | | | | | | | | | | | | | | | | | | | | | | | | | | | | | | | | | | | | | | | | | | | | | | | | | | | | | | | | | | | | | | | | | | | | | | | | | | | | | | | | | | | | | | | | | | | | | | | | | | | | | | | | | | | | | | | | | | | | | | | | | | | | | | | | | | | | | | | | | | | |
| | 10 | 10 mm | | | | | | | | | | | | | | | | | | | | | | | | | | | | | | | | | | | | | | | | | | | | | | | | | | | | | | | | | | | | | | | | | | | | | | | | | | | | | | | | | | | | | | | | | | | | | | | | | | | | | | | | | | | | | | | | | | | | | | | | | | | | | | | | | | | | | | | | | | | | | | | | | | | | | | | | | | | | | | | | | | | | | |
| 10 | 4 | 4 mm | | | | | | | | | | | | | | | | | | | | | | | | | | | | | | | | | | | | | | | | | | | | | | | | | | | | | | | | | | | | | | | | | | | | | | | | | | | | | | | | | | | | | | | | | | | | | | | | | | | | | | | | | | | | | | | | | | | | | | | | | | | | | | | | | | | | | | | | | | | | | | | | | | | | | | | | | | | | | | | | | | | | | |
| | 10 | 10 mm | | | | | | | | | | | | | | | | | | | | | | | | | | | | | | | | | | | | | | | | | | | | | | | | | | | | | | | | | | | | | | | | | | | | | | | | | | | | | | | | | | | | | | | | | | | | | | | | | | | | | | | | | | | | | | | | | | | | | | | | | | | | | | | | | | | | | | | | | | | | | | | | | | | | | | | | | | | | | | | | | | | | | |
| 15 | 4 | 4 mm | | | | | | | | | | | | | | | | | | | | | | | | | | | | | | | | | | | | | | | | | | | | | | | | | | | | | | | | | | | | | | | | | | | | | | | | | | | | | | | | | | | | | | | | | | | | | | | | | | | | | | | | | | | | | | | | | | | | | | | | | | | | | | | | | | | | | | | | | | | | | | | | | | | | | | | | | | | | | | | | | | | | | |
| | 10 | 10 mm | | | | | | | | | | | | | | | | | | | | | | | | | | | | | | | | | | | | | | | | | | | | | | | | | | | | | | | | | | | | | | | | | | | | | | | | | | | | | | | | | | | | | | | | | | | | | | | | | | | | | | | | | | | | | | | | | | | | | | | | | | | | | | | | | | | | | | | | | | | | | | | | | | | | | | | | | | | | | | | | | | | | | |
| 20 | 6 | 6 mm | | | | | | | | | | | | | | | | | | | | | | | | | | | | | | | | | | | | | | | | | | | | | | | | | | | | | | | | | | | | | | | | | | | | | | | | | | | | | | | | | | | | | | | | | | | | | | | | | | | | | | | | | | | | | | | | | | | | | | | | | | | | | | | | | | | | | | | | | | | | | | | | | | | | | | | | | | | | | | | | | | | | | |
| | 15 | 15 mm | | | | | | | | | | | | | | | | | | | | | | | | | | | | | | | | | | | | | | | | | | | | | | | | | | | | | | | | | | | | | | | | | | | | | | | | | | | | | | | | | | | | | | | | | | | | | | | | | | | | | | | | | | | | | | | | | | | | | | | | | | | | | | | | | | | | | | | | | | | | | | | | | | | | | | | | | | | | | | | | | | | | | |
| 25 | 6 | 6 mm | | | | | | | | | | | | | | | | | | | | | | | | | | | | | | | | | | | | | | | | | | | | | | | | | | | | | | | | | | | | | | | | | | | | | | | | | | | | | | | | | | | | | | | | | | | | | | | | | | | | | | | | | | | | | | | | | | | | | | | | | | | | | | | | | | | | | | | | | | | | | | | | | | | | | | | | | | | | | | | | | | | | | |
| | 15 | 15 mm | | | | | | | | | | | | | | | | | | | | | | | | | | | | | | | | | | | | | | | | | | | | | | | | | | | | | | | | | | | | | | | | | | | | | | | | | | | | | | | | | | | | | | | | | | | | | | | | | | | | | | | | | | | | | | | | | | | | | | | | | | | | | | | | | | | | | | | | | | | | | | | | | | | | | | | | | | | | | | | | | | | | | |
| 30 | 6 | 6 mm | | | | | | | | | | | | | | | | | | | | | | | | | | | | | | | | | | | | | | | | | | | | | | | | | | | | | | | | | | | | | | | | | | | | | | | | | | | | | | | | | | | | | | | | | | | | | | | | | | | | | | | | | | | | | | | | | | | | | | | | | | | | | | | | | | | | | | | | | | | | | | | | | | | | | | | | | | | | | | | | | | | | | |
| | 15 | 15 mm | | | | | | | | | | | | | | | | | | | | | | | | | | | | | | | | | | | | | | | | | | | | | | | | | | | | | | | | | | | | | | | | | | | | | | | | | | | | | | | | | | | | | | | | | | | | | | | | | | | | | | | | | | | | | | | | | | | | | | | | | | | | | | | | | | | | | | | | | | | | | | | | | | | | | | | | | | | | | | | | | | | | | |
| 35 | 6 | 6 mm | | | | | | | | | | | | | | | | | | | | | | | | | | | | | | | | | | | | | | | | | | | | | | | | | | | | | | | | | | | | | | | | | | | | | | | | | | | | | | | | | | | | | | | | | | | | | | | | | | | | | | | | | | | | | | | | | | | | | | | | | | | | | | | | | | | | | | | | | | | | | | | | | | | | | | | | | | | | | | | | | | | | | |
| | 15 | 15 mm | | | | | | | | | | | | | | | | | | | | | | | | | | | | | | | | | | | | | | | | | | | | | | | | | | | | | | | | | | | | | | | | | | | | | | | | | | | | | | | | | | | | | | | | | | | | | | | | | | | | | | | | | | | | | | | | | | | | | | | | | | | | | | | | | | | | | | | | | | | | | | | | | | | | | | | | | | | | | | | | | | | | | |
| 40 | 6 | 6 mm | | | | | | | | | | | | | | | | | | | | | | | | | | | | | | | | | | | | | | | | | | | | | | | | | | | | | | | | | | | | | | | | | | | | | | | | | | | | | | | | | | | | | | | | | | | | | | | | | | | | | | | | | | | | | | | | | | | | | | | | | | | | | | | | | | | | | | | | | | | | | | | | | | | | | | | | | | | | | | | | | | | | | |
| | 15 | 15 mm | | | | | | | | | | | | | | | | | | | | | | | | | | | | | | | | | | | | | | | | | | | | | | | | | | | | | | | | | | | | | | | | | | | | | | | | | | | | | | | | | | | | | | | | | | | | | | | | | | | | | | | | | | | | | | | | | | | | | | | | | | | | | | | | | | | | | | | | | | | | | | | | | | | | | | | | | | | | | | | | | | | | | |
| 50 | 6 | 6 mm | | | | | | | | | | | | | | | | | | | | | | | | | | | | | | | | | | | | | | | | | | | | | | | | | | | | | | | | | | | | | | | | | | | | | | | | | | | | | | | | | | | | | | | | | | | | | | | | | | | | | | | | | | | | | | | | | | | | | | | | | | | | | | | | | | | | | | | | | | | | | | | | | | | | | | | | | | | | | | | | | | | | | |
| | 15 | 15 mm | | | | | | | | | | | | | | | | | | | | | | | | | | | | | | | | | | | | | | | | | | | | | | | | | | | | | | | | | | | | | | | | | | | | | | | | | | | | | | | | | | | | | | | | | | | | | | | | | | | | | | | | | | | | | | | | | | | | | | | | | | | | | | | | | | | | | | | | | | | | | | | | | | | | | | | | | | | | | | | | | | | | | |
| 規格 | 記號 | 行程 (mm) | | | | | | | | | | | | | | | | | | | | | | | | | | | | | | | | | | | | | | | | | | | | | | | | | | | | | | | | | | | | | | | | | | | | | | | | | | | | | | | | | | | | | | | | | | | | | | | | | | | | | | | | | | | | | | | | | | | | | | | | | | | | | | | | | | | | | | | | | | | | | | | | | | | | | | | | | | | | | | | | | | | | | |
| 60 | 10 | 10 mm | | | | | | | | | | | | | | | | | | | | | | | | | | | | | | | | | | | | | | | | | | | | | | | | | | | | | | | | | | | | | | | | | | | | | | | | | | | | | | | | | | | | | | | | | | | | | | | | | | | | | | | | | | | | | | | | | | | | | | | | | | | | | | | | | | | | | | | | | | | | | | | | | | | | | | | | | | | | | | | | | | | | | |
| | 30 | 30 mm | | | | | | | | | | | | | | | | | | | | | | | | | | | | | | | | | | | | | | | | | | | | | | | | | | | | | | | | | | | | | | | | | | | | | | | | | | | | | | | | | | | | | | | | | | | | | | | | | | | | | | | | | | | | | | | | | | | | | | | | | | | | | | | | | | | | | | | | | | | | | | | | | | | | | | | | | | | | | | | | | | | | | |
| 80 | 10 | 10 mm | | | | | | | | | | | | | | | | | | | | | | | | | | | | | | | | | | | | | | | | | | | | | | | | | | | | | | | | | | | | | | | | | | | | | | | | | | | | | | | | | | | | | | | | | | | | | | | | | | | | | | | | | | | | | | | | | | | | | | | | | | | | | | | | | | | | | | | | | | | | | | | | | | | | | | | | | | | | | | | | | | | | | |
| | 30 | 30 mm | | | | | | | | | | | | | | | | | | | | | | | | | | | | | | | | | | | | | | | | | | | | | | | | | | | | | | | | | | | | | | | | | | | | | | | | | | | | | | | | | | | | | | | | | | | | | | | | | | | | | | | | | | | | | | | | | | | | | | | | | | | | | | | | | | | | | | | | | | | | | | | | | | | | | | | | | | | | | | | | | | | | | |
| 100 | 15 | 15 mm | | | | | | | | | | | | | | | | | | | | | | | | | | | | | | | | | | | | | | | | | | | | | | | | | | | | | | | | | | | | | | | | | | | | | | | | | | | | | | | | | | | | | | | | | | | | | | | | | | | | | | | | | | | | | | | | | | | | | | | | | | | | | | | | | | | | | | | | | | | | | | | | | | | | | | | | | | | | | | | | | | | | | |
| | 30 | 30 mm | | | | | | | | | | | | | | | | | | | | | | | | | | | | | | | | | | | | | | | | | | | | | | | | | | | | | | | | | | | | | | | | | | | | | | | | | | | | | | | | | | | | | | | | | | | | | | | | | | | | | | | | | | | | | | | | | | | | | | | | | | | | | | | | | | | | | | | | | | | | | | | | | | | | | | | | | | | | | | | | | | | | | |
| 120 | 30 | 30 mm | | | | | | | | | | | | | | | | | | | | | | | | | | | | | | | | | | | | | | | | | | | | | | | | | | | | | | | | | | | | | | | | | | | | | | | | | | | | | | | | | | | | | | | | | | | | | | | | | | | | | | | | | | | | | | | | | | | | | | | | | | | | | | | | | | | | | | | | | | | | | | | | | | | | | | | | | | | | | | | | | | | | | |
| 150 | 30 | 30 mm | | | | | | | | | | | | | | | | | | | | | | | | | | | | | | | | | | | | | | | | | | | | | | | | | | | | | | | | | | | | | | | | | | | | | | | | | | | | | | | | | | | | | | | | | | | | | | | | | | | | | | | | | | | | | | | | | | | | | | | | | | | | | | | | | | | | | | | | | | | | | | | | | | | | | | | | | | | | | | | | | | | | | |
| 200 | 30 | 30 mm | | | | | | | | | | | | | | | | | | | | | | | | | | | | | | | | | | | | | | | | | | | | | | | | | | | | | | | | | | | | | | | | | | | | | | | | | | | | | | | | | | | | | | | | | | | | | | | | | | | | | | | | | | | | | | | | | | | | | | | | | | | | | | | | | | | | | | | | | | | | | | | | | | | | | | | | | | | | | | | | | | | | | |
| 迴轉支架 | 吸盤外徑 (mm) | | | | | | | | | | | | | | | | | | | | | | | | | | | | | | | | | | | | | | | | | | | | | | | | | | | | | | | | | | | | | | | | | | | | | | | | | | | | | | | | | | | | | | | | | | | | | | | | | | | | | | | | | | | | | | | | | | | | | | | | | | | | | | | | | | | | | | | | | | | | | | | | | | | | | | | | | | | | | | | | | | | | | | |
| PAR 05 | Ø05~Ø15 | | | | | | | | | | | | | | | | | | | | | | | | | | | | | | | | | | | | | | | | | | | | | | | | | | | | | | | | | | | | | | | | | | | | | | | | | | | | | | | | | | | | | | | | | | | | | | | | | | | | | | | | | | | | | | | | | | | | | | | | | | | | | | | | | | | | | | | | | | | | | | | | | | | | | | | | | | | | | | | | | | | | | | |
| PAR 20 | Ø20~Ø50 | | | | | | | | | | | | | | | | | | | | | | | | | | | | | | | | | | | | | | | | | | | | | | | | | | | | | | | | | | | | | | | | | | | | | | | | | | | | | | | | | | | | | | | | | | | | | | | | | | | | | | | | | | | | | | | | | | | | | | | | | | | | | | | | | | | | | | | | | | | | | | | | | | | | | | | | | | | | | | | | | | | | | | |
| PAR 60 | Ø60, Ø80 | | | | | | | | | | | | | | | | | | | | | | | | | | | | | | | | | | | | | | | | | | | | | | | | | | | | | | | | | | | | | | | | | | | | | | | | | | | | | | | | | | | | | | | | | | | | | | | | | | | | | | | | | | | | | | | | | | | | | | | | | | | | | | | | | | | | | | | | | | | | | | | | | | | | | | | | | | | | | | | | | | | | | | |

註: SE、E為訂製品

註: 1. 僅適用於PAFS、PATS系列選型用
2. 詳細規格見 P.3-2.13~P.3-2.14

註: 1. 僅適用於PATS系列選型用
2. 詳細規格見 P.3-2.15

◎ 吸盤材質

| 記號 | 材質 | 硬度(HS) | 使用溫度範圍 | 顏色 | 表面電阻(註) |
|----|-----------------|--------|-----------|----|---|
| N | NBR(橡膠) | A60/S | -26~120°C | 黑 | - |
| U | PU(Uret-hane) | A60/S | -20~75°C | 黑 | - |
| S | 矽膠(Silicon)、矽橡膠 | A60/S | -60~250°C | 白 | - |
| SE | 防靜電橡膠 | A50/S | -60~250°C | 黑 | $10^4 \sim 10^6 \Omega \cdot \text{cm}$ |
| E | 低阻抗防靜電橡膠 | A70/S | -60~250°C | 黑 | 200Ω · cm |

註:1.為橡膠的導電性質,表示每cm²的電阻值。2.我司指定測試片之測試值。

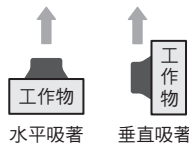
◎ 吸盤之選定要領

理論吸著力是根據使用吸盤的面積和使用吸盤時產生的真空度計算求得。計算值作為參考值,請根據需要進行實際的吸附試驗來確認。理論吸著力是靜態條件下的數值,需增加考量工作物的重量和移動時(如:提升、停止、轉動...等)的加速度引起的力,請預留出足夠的裕度。另外,在確定吸盤的數量和配置時,請預留出足夠的裕度。

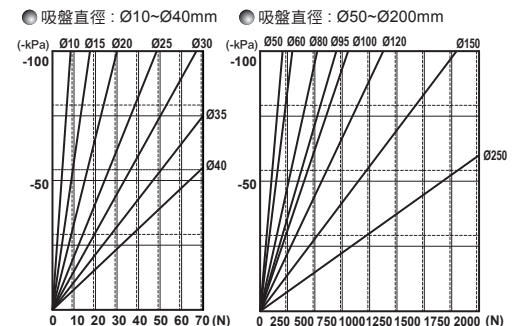
◎ 吸著能力之計算方式

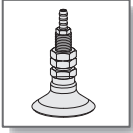
$$W = \frac{P \times A}{-10}$$

W: 吸著之能力 N
P: 真空壓 kPa
A: 吸盤面積 cm²



◎ 理論吸著力 (理論值)





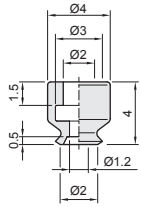
真空吸盤 / 單層吸盤

吸盤規格及種類 - 單層型 PA 系列

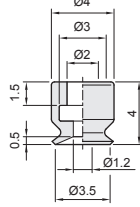
CHELIC

吸盤尺寸圖

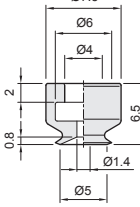
● PA-02



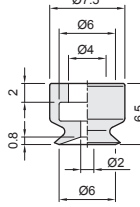
● PA-3.5



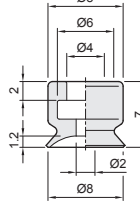
● PA-05



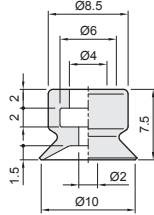
● PA-06



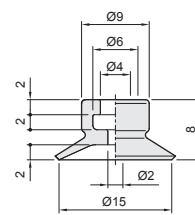
● PA-08



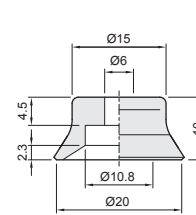
● PA-10



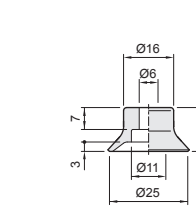
● PA-15



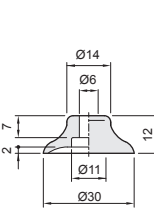
● PA-20



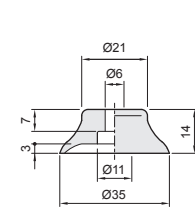
● PA-25



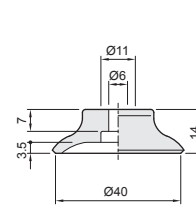
● PA-30



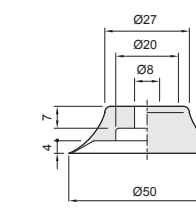
● PA-35



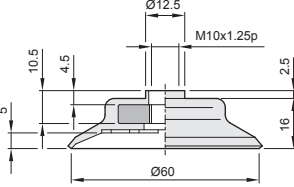
● PA-40



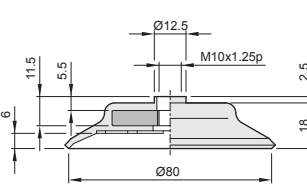
● PA-50



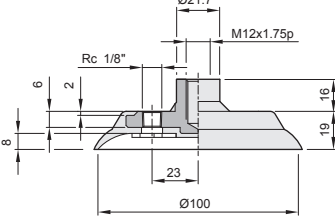
● PA-60



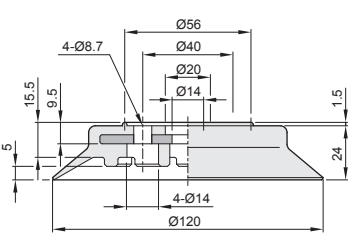
● PA-80



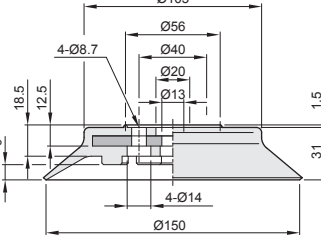
● PA-100



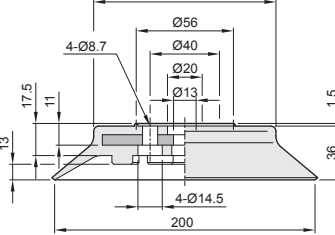
● PA-120



● PA-150



● PA-200



PA
真空吸盤
單層型

PB
真空吸盤
雙層型

PC
真空吸盤
三層型

PAG
薄型吸盤

PAO
防滑吸盤

PAW
橢圓型吸盤

PAP
平板型吸盤

PAQ
無痕型吸盤

PAL
不迴轉
真空吸盤

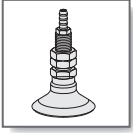
PBL
不迴轉
真空吸盤

PCL
不迴轉
真空吸盤

PAR
擺動
支架組

PS
非接觸式
吸盤

PS
非接觸式
吸盤

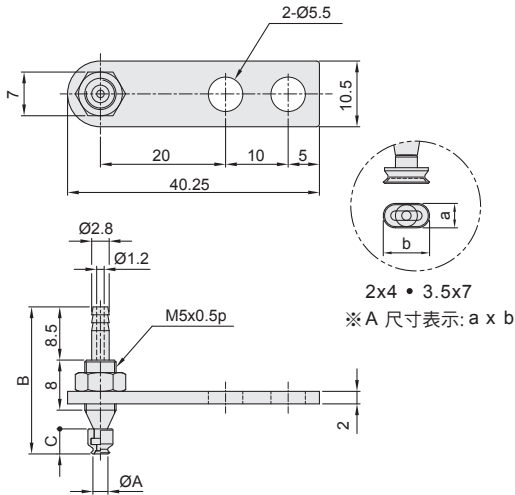


真空吸盤 / 單層吸盤

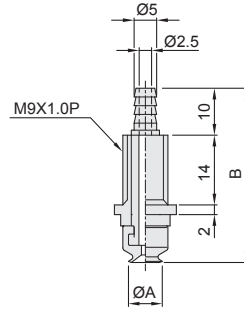
外觀圖形尺寸 - PAF 系列 / 直立配管

氣立可空氣壓設備

◎ Ø2 ~ Ø3.5



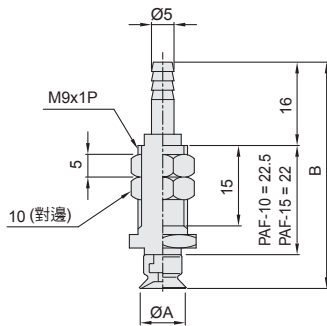
◎ Ø5 ~ Ø8



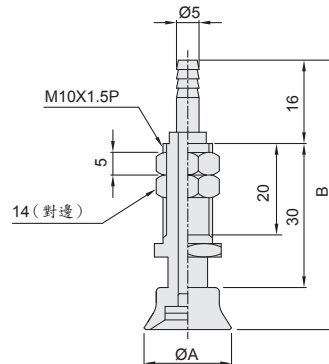
| 吸盤形式 | 項目 | 盤徑 A | 全長 B | C | 配合管尺寸 |
|-------|------------|---------|------|-----|-------------------|
| 圓形吸盤 | PAF-02 | Ø2 | 20.8 | 4 | PU 管 Ø4 x Ø2.5 |
| | PAF-3.5 | Ø3.5 | 23.5 | 4 | |
| 長圓形吸盤 | PAF-2x4 | 2 x 4 | 24.4 | 1.7 | Ø4 x Ø2.5 |
| | PAF2-3.5x7 | 3.5 x 7 | 25.5 | 2.5 | |

| 吸盤形式 | 項目 | 盤徑 A | 全長 B | 配合管尺寸 |
|------|--------|------|------|-----------------|
| 圓形吸盤 | PAF-05 | Ø5 | 30.5 | PU 管 Ø6 x Ø4 |
| | PAF-06 | Ø6 | 31 | |
| | PAF-08 | Ø8 | 31 | |

◎ Ø10 ~ Ø15

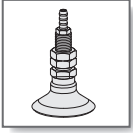


◎ Ø20 ~ Ø50



| 吸盤形式 | 項目 | 盤徑 A | 全長 B | 配合管尺寸 |
|------|--------|------|------|---------|
| 圓形吸盤 | PAF-10 | Ø10 | 46 | PU 管 |
| | PAF-15 | Ø15 | 46 | Ø6 x Ø4 |

| 吸盤形式 | 項目 | 盤徑 A | 全長 B | 配合管尺寸 |
|------|--------|------|------|-----------------|
| 圓形吸盤 | PAF-20 | Ø20 | 56 | PU 管 Ø6 x Ø4 |
| | PAF-25 | Ø25 | 60 | |
| | PAF-30 | Ø30 | 58 | |
| | PAF-35 | Ø35 | 60 | |
| | PAF-40 | Ø40 | 60 | |
| | PAF-50 | Ø50 | 61 | |

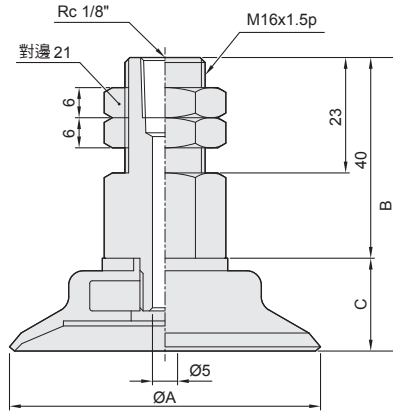


真空吸盤 / 單層吸盤

外觀圖形尺寸 - **PAF** 系列 / 直立配管

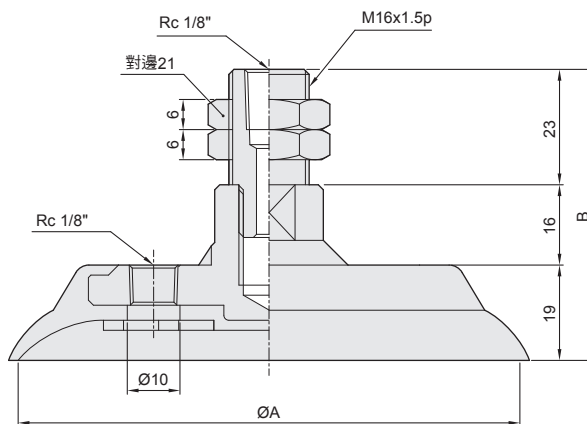
CHELIC

◎ Ø60 ~ Ø80



| 吸盤形式 | 項目 | 盤徑 A | 全長 B | C | 接頭配合 尺寸 |
|------|--------|---------|---------|------|------------|
| 圓形吸盤 | PAF-60 | Ø60 | 58.5 | 18.5 | Rc 1/8" |
| | PAF-80 | Ø80 | 60.5 | 20.5 | |

◎ Ø100



| 吸盤形式 | 項目 | 盤徑 A | 全長 B | 接頭配合 尺寸 |
|------|---------|---------|---------|------------|
| 圓形吸盤 | PAF-100 | Ø100 | 58 | Rc 1/8" |

PA
真空吸盤
單層型

PB
真空吸盤
雙層型

PC
真空吸盤
三層型

PAG
薄型吸盤

PAO
防滑吸盤

PAW
橢圓型吸盤

PAP
平板型吸盤

PAQ
無痕型吸盤

PAL
不迴轉
真空吸盤

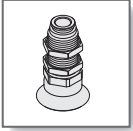
PBL
不迴轉
真空吸盤

PCL
不迴轉
真空吸盤

PAR
擺動
支架組

PS
非接觸式
吸盤

PS
非接觸式
吸盤

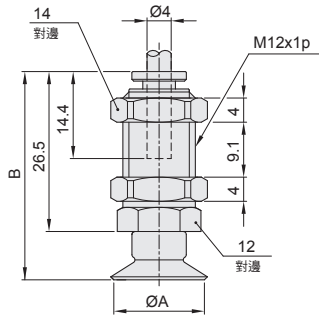


真空吸盤 / 單層吸盤

外觀圖形尺寸 / PAK 系列 / 直立附接頭型

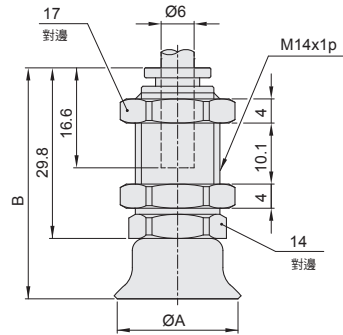
氣立可空氣壓設備

◉ Ø10 ~ Ø15



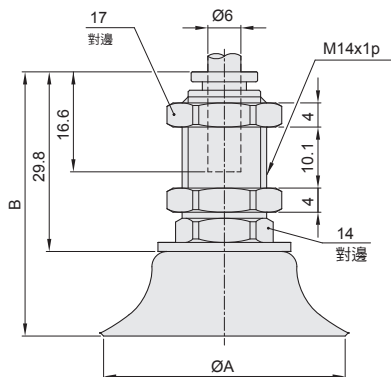
| 吸盤形式 | 項目 | 盤徑 A | 全長 B | 配合管尺寸 |
|------|--------|------|------|-------------------|
| 圓形吸盤 | PAK-10 | Ø10 | 34 | PU 管 Ø4 x Ø2.5 |
| | PAK-15 | Ø15 | 34.5 | |

◉ Ø20 ~ Ø35



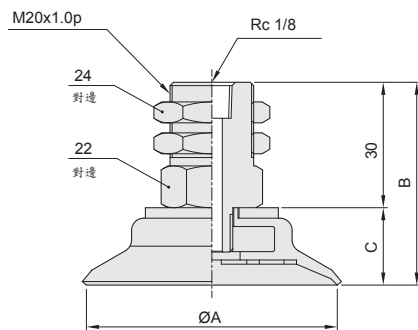
| 吸盤形式 | 項目 | 盤徑 A | 全長 B | 配合管尺寸 |
|------|--------|------|------|-----------------|
| 圓形吸盤 | PAK-20 | Ø20 | 38.3 | PU 管 Ø6 x Ø4 |
| | PAK-25 | Ø25 | 42.3 | |
| | PAK-30 | Ø30 | 40.3 | |
| | PAK-35 | Ø35 | 42.3 | |

◉ Ø40 ~ Ø50

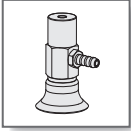


| 吸盤形式 | 項目 | 盤徑 A | 全長 B | 配合管尺寸 |
|------|--------|------|------|-----------------|
| 圓形吸盤 | PAK-40 | Ø40 | 43.8 | PU 管 Ø6 x Ø4 |
| | PAK-50 | Ø50 | 44.8 | |

◉ Ø60 ~ Ø80



| 吸盤形式 | 項目 | 盤徑 A | 全長 B | C | 接頭配合尺寸 |
|------|--------|------|------|------|---------|
| 圓形吸盤 | PAK-60 | Ø60 | 48.5 | 18.5 | Rc 1/8" |
| | PAK-80 | Ø80 | 50.5 | 20.5 | |

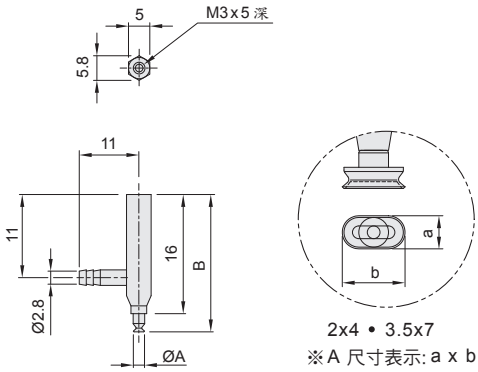


真空吸盤 / 單層吸盤

外觀圖形尺寸 - PAT 系列 / 側向配管

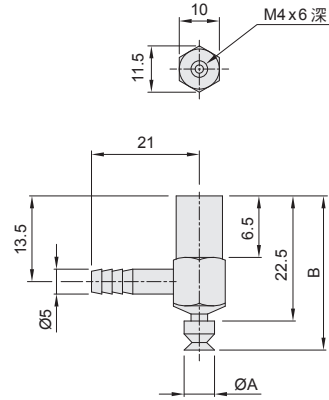
CHELIC

◎ Ø2 ~ Ø3.5



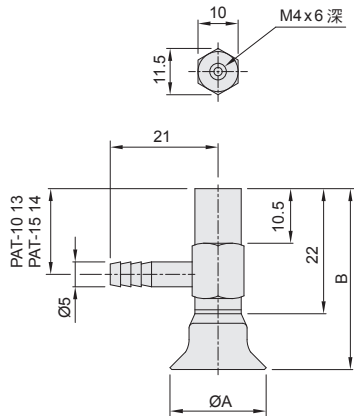
| 吸盤形式 | 項目 | 盤徑 A | 全長 B | 配合管尺寸 |
|-------|--------------|---------|------|-------------------|
| 圓形吸盤 | PAT-02 | Ø2 | 20 | PU 管 Ø4 x Ø2.5 |
| | PAT-3.5 | Ø3.5 | 20 | |
| 長圓形吸盤 | PAT-2 x 4 | 2 x 4 | 21 | |
| | PAT2-3.5 x 7 | 3.5 x 7 | 22 | |

◎ Ø5 ~ Ø8



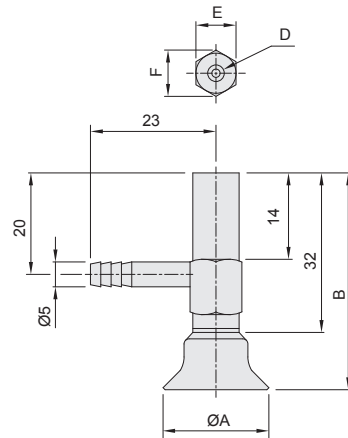
| 吸盤形式 | 項目 | 盤徑 A | 全長 B | 配合管尺寸 |
|------|--------|------|------|-----------------|
| 圓形吸盤 | PAT-05 | Ø5 | 29 | PU 管 Ø6 x Ø4 |
| | PAT-06 | Ø6 | 29 | |
| | PAT-08 | Ø8 | 29.5 | |

◎ Ø10 ~ Ø15



| 吸盤形式 | 項目 | 盤徑 A | 全長 B | 配合管尺寸 |
|------|--------|------|------|---------|
| 圓形吸盤 | PAT-10 | Ø10 | 30 | PU 管 |
| | PAT-15 | Ø15 | 30 | Ø6 x Ø4 |

◎ Ø20 ~ Ø50



| 吸盤形式 | 項目 | 盤徑 A | 全長 B | D | E | F | 配合管尺寸 |
|------|--------|------|------|-------------|----|------|-----------------|
| 圓形吸盤 | PAT-20 | Ø20 | 42 | M6x1 深 8 | 14 | 16.5 | PU 管 Ø6 x Ø4 |
| | PAT-25 | Ø25 | 46 | | | | |
| | PAT-30 | Ø30 | 44 | | | | |
| | PAT-35 | Ø35 | 46 | | | | |
| | PAT-40 | Ø40 | 46 | | 15 | 17.3 | |
| | PAT-50 | Ø50 | 47 | | | | |

PA
真空吸盤
單層型

PB
真空吸盤
雙層型

PC
真空吸盤
三層型

PAG
薄型吸盤

PAO
防滑吸盤

PAW
橢圓型吸盤

PAP
平板型吸盤

PAQ
無痕型吸盤

PAL
不迴轉
真空吸盤

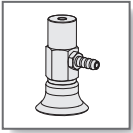
PBL
不迴轉
真空吸盤

PCL
不迴轉
真空吸盤

PAR
擺動
支架組

PS
非接觸式
吸盤

PS
非接觸式
吸盤



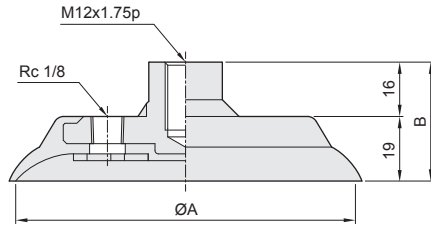
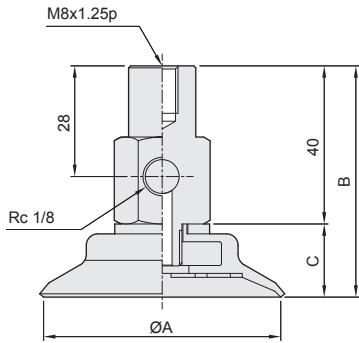
真空吸盤 / 單層吸盤

外觀圖形尺寸 - **PAT** 系列 / 側向配管

氣立可空氣壓設備

◎ Ø60 , Ø80

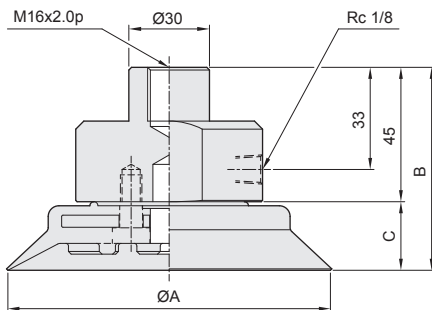
◎ Ø100



| 吸盤形式 | 項目 | 盤徑 A | 全長 B | C | 接頭配合尺寸 |
|------|--------|------|------|------|---------|
| 圓形吸盤 | PAT-60 | Ø60 | 58.5 | 18.5 | Rc 1/8" |
| | PAT-80 | Ø80 | 60.5 | 20.5 | |

| 吸盤形式 | 項目 | 盤徑 A | 全長 B | 接頭配合尺寸 |
|------|---------|------|------|---------|
| 圓形吸盤 | PAT-100 | Ø100 | 35 | Rc 1/8" |

◎ Ø120 , Ø150 , Ø200



| 吸盤形式 | 項目 | 盤徑 A | 全長 B | C | 接頭配合尺寸 |
|------|---------|------|------|------|---------|
| 圓形吸盤 | PAT-120 | Ø120 | 70.5 | 25.5 | Rc 1/8" |
| | PAT-150 | Ø150 | 77.5 | 32.5 | |
| | PAT-200 | Ø200 | 82.5 | 37.5 | |

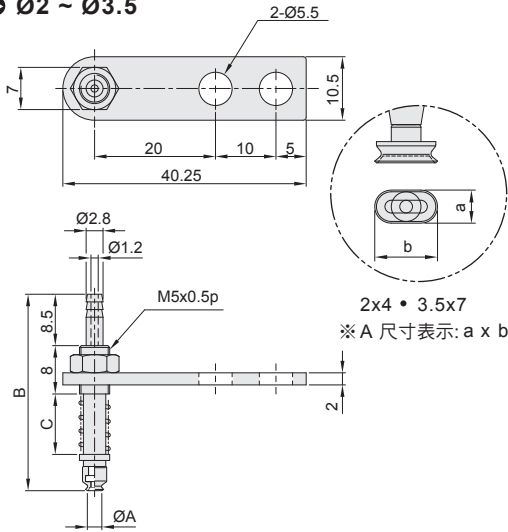


真空吸盤 / 單層吸盤

外觀圖形尺寸 - PAFS 系列 / 直立配管附彈簧型

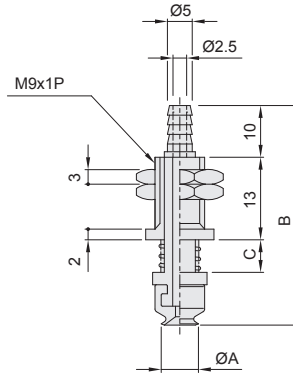
CHELIC

◎ Ø2 ~ Ø3.5



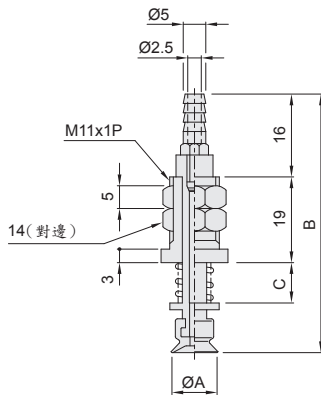
| 吸盤形式 | 項目 | 盤徑 A | 行程 2.5 | | 行程 5 | | 配合管 尺寸 | 彈簧壓 縮長度 |
|-------|-------------|---------|--------|-----|------|------|-----------------|------------|
| | | | B | C | B | C | | |
| 圓形吸盤 | PAFS-02 | Ø2 | 28.5 | 5.1 | 33.5 | 10.1 | PU 管 Ø4xØ2.5 | 2.5, 5 |
| | PAFS-3.5 | Ø3.5 | 28.5 | 5.1 | 33.5 | 10.1 | | |
| 長圓形吸盤 | PAFS-2x4 | 2x4 | 28.5 | 5.1 | 33.7 | 10.1 | PU 管 Ø4xØ2.5 | 2.5, 5 |
| | PAFS2-3.5x7 | 3.5x7 | 29.5 | 5 | 34.5 | 10 | | |

◎ Ø5 ~ Ø8



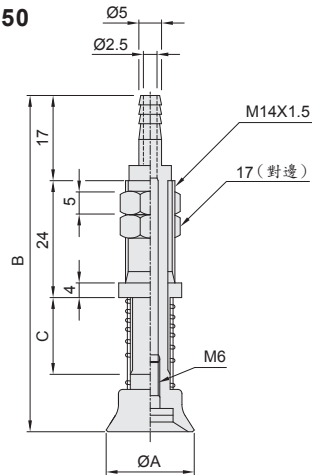
| 吸盤形式 | 項目 | 盤徑 A | 行程 3 | | | 行程 10 | | 配合管 尺寸 | 彈簧壓 縮長度 |
|------|---------|---------|------|---|------|-------|---------------|-----------|------------|
| | | | B | C | B | C | | | |
| 圓形吸盤 | PAFS-05 | Ø5 | 37.5 | 6 | 51.5 | 20 | PU 管 Ø6xØ4 | 3, 10 | |
| | PAFS-06 | Ø6 | 37.5 | 6 | 51.5 | 20 | | | |
| | PAFS-08 | Ø8 | 38 | 6 | 52 | 20 | | | |

◎ Ø10 ~ Ø15



| 吸盤形式 | 項目 | 盤徑 A | 行程 4 | | 行程 10 | | 配合管 尺寸 | 彈簧壓 縮長度 |
|------|---------|---------|------|---|-------|----|---------------|------------|
| | | | B | C | B | C | | |
| 圓形吸盤 | PAFS-10 | Ø10 | 56.5 | 8 | 68.5 | 20 | PU 管 Ø6xØ4 | 4, 10 |
| | PAFS-15 | Ø15 | 54 | 8 | 66 | 20 | | |

◎ Ø20 ~ Ø50



| 吸盤形式 | 項目 | 盤徑 A | 行程 6 | | | 行程 15 | | 配合管 尺寸 | 彈簧壓 縮長度 |
|------|---------|---------|------|----|------|-------|---------------|-----------|------------|
| | | | B | C | B | C | | | |
| 圓形吸盤 | PAFS-20 | Ø20 | 69.5 | 13 | 86.5 | 30 | PU 管 Ø6xØ4 | 6, 15 | |
| | PAFS-25 | Ø25 | 73.5 | 13 | 90.5 | 30 | | | |
| | PAFS-30 | Ø30 | 71.5 | 13 | 88.5 | 30 | | | |
| | PAFS-35 | Ø35 | 73.5 | 13 | 90.5 | 30 | | | |
| | PAFS-40 | Ø40 | 71 | 13 | 88 | 30 | | | |
| | PAFS-50 | Ø50 | 72 | 13 | 89 | 30 | | | |

PA
真空吸盤
單層型

PB
真空吸盤
雙層型

PC
真空吸盤
三層型

PAG
薄型吸盤

PAO
防滑吸盤

PAW
橢圓型吸盤

PAP
平板型吸盤

PAQ
無痕型吸盤

PAL
不迴轉
真空吸盤

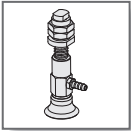
PBL
不迴轉
真空吸盤

PCL
不迴轉
真空吸盤

PAR
擺動
支架組

PS
非接觸式
吸盤

PS
非接觸式
吸盤

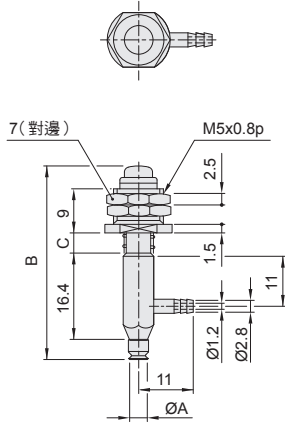


真空吸盤 / 單層吸盤

外觀圖形尺寸 - PATS 系列 / 側向附彈簧型

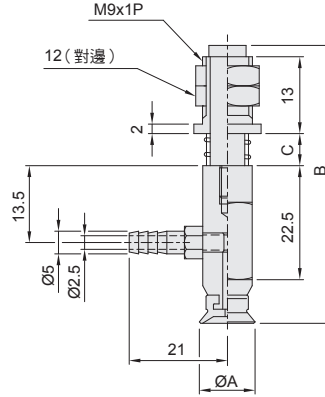
氣立可空氣壓設備

◎ Ø2 ~ Ø3.5



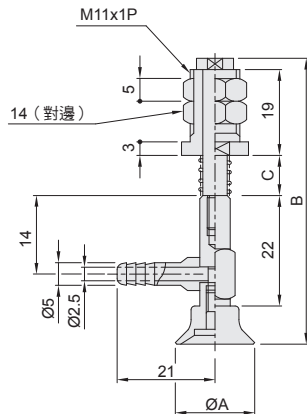
| 吸盤形式 | 項目 | 盤徑 A | 行程 2.5 | | 行程 5 | | 配合管 尺寸 | 彈簧壓 縮長度 |
|-------|-------------|---------|--------|-----|------|-----|-----------------|------------|
| | | | B | C | B | C | | |
| 圓形吸盤 | PATS-02 | Ø2 | 35.7 | 4.5 | 40.5 | 9.5 | PU 管 Ø4xØ2.5 | 2.5, 5 |
| | PATS-3.5 | Ø3.5 | 35.7 | 4.5 | 40.7 | 9.5 | | |
| 長圓形吸盤 | PATS-2x4 | 2x4 | 37.4 | 4.5 | 42.4 | 9.5 | | |
| | PATS2-3.5x7 | 3.5x7 | 38.2 | 4.5 | 43.2 | 9.5 | | |

◎ Ø5 ~ Ø8



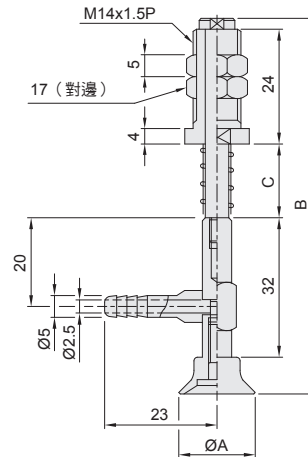
| 吸盤形式 | 項目 | 盤徑 A | 行程 3 | | 行程 10 | | 配合管 尺寸 | 彈簧壓 縮長度 |
|------|---------|---------|------|---|-------|----|---------------|------------|
| | | | B | C | B | C | | |
| 圓形吸盤 | PATS-05 | Ø5 | 51 | 6 | 65 | 20 | PU 管 Ø6xØ4 | 3, 10 |
| | PATS-06 | Ø6 | 51 | 6 | 65 | 20 | | |
| | PATS-08 | Ø8 | 51.5 | 6 | 65.5 | 20 | | |

◎ Ø10 ~ Ø15



| 吸盤形式 | 項目 | 盤徑 A | 行程 4 | | 行程 10 | | 配合管 尺寸 | 彈簧壓 縮長度 |
|------|---------|---------|------|---|-------|----|---------------|------------|
| | | | B | C | B | C | | |
| 圓形吸盤 | PATS-10 | Ø10 | 60 | 8 | 72 | 20 | PU 管 Ø6xØ4 | 4, 10 |
| | PATS-15 | Ø15 | 60 | 8 | 72 | 20 | | |

◎ Ø20 ~ Ø50



| 吸盤形式 | 項目 | 盤徑 A | 行程 6 | | 行程 15 | | 配合管 尺寸 | 彈簧壓 縮長度 |
|------|---------|---------|------|----|-------|----|---------------|------------|
| | | | B | C | B | C | | |
| 圓形吸盤 | PATS-20 | Ø20 | 83 | 13 | 96 | 30 | PU 管 Ø6xØ4 | 6, 15 |
| | PATS-25 | Ø25 | 87 | 13 | 104 | 30 | | |
| | PATS-30 | Ø30 | 85 | 13 | 102 | 30 | | |
| | PATS-35 | Ø35 | 87 | 13 | 104 | 30 | | |
| | PATS-40 | Ø40 | 87 | 13 | 104 | 30 | | |
| | PATS-50 | Ø50 | 88 | 13 | 105 | 30 | | |



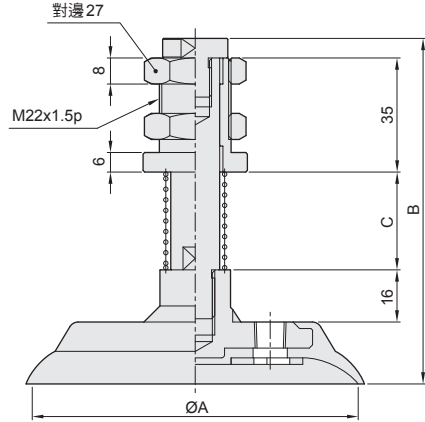
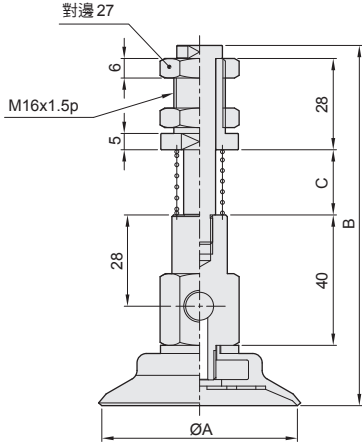
真空吸盤 / 單層吸盤

外觀圖形尺寸 - **PATS** 系列 / 側向附彈簧型

CHELIC

◎ Ø60 , Ø80

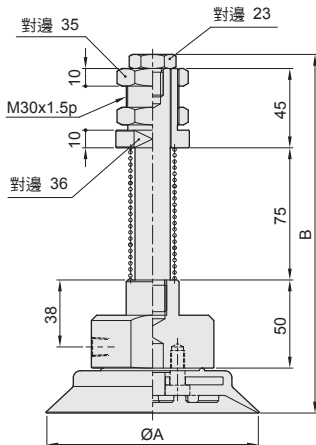
◎ Ø100



| 吸盤形式 | 項目 | 盤徑 A | 行程 10 | | 行程 30 | | 配合管 尺寸 | 彈簧壓 縮長度 |
|------|---------|---------|-------|----|-------|----|-----------|------------|
| | | | B | C | B | C | | |
| 圓形吸盤 | PATS-60 | Ø60 | 110.5 | 20 | 150.5 | 60 | Rc 1/8" | 10,30 |
| | PATS-80 | Ø80 | 112.5 | 20 | 152.5 | 60 | | |

| 吸盤形式 | 項目 | 盤徑 A | 行程 15 | | 行程 30 | | 配合管 尺寸 | 彈簧壓 縮長度 |
|------|----------|---------|-------|----|-------|----|-----------|------------|
| | | | B | C | B | C | | |
| 圓形吸盤 | PATS-100 | Ø100 | 106 | 30 | 136 | 60 | PT 1/8" | 15,30 |

◎ Ø120 , Ø150 , Ø200



| 吸盤形式 | 項目 | 盤徑 A | 全長 B | 接頭配合 尺寸 | 彈簧壓 縮長度 |
|------|----------|---------|---------|------------|------------|
| 圓形吸盤 | PATS-120 | Ø120 | 203.5 | Rc 1/8" | 30 |
| | PATS-150 | Ø150 | 210.5 | | |
| | PATS-200 | Ø200 | 215.5 | | |

PA
真空吸盤
單層型

PB
真空吸盤
雙層型

PC
真空吸盤
三層型

PAG
薄型吸盤

PAO
防滑吸盤

PAW
橢圓型吸盤

PAP
平板型吸盤

PAQ
無痕型吸盤

PAL
不迴轉
真空吸盤

PBL
不迴轉
真空吸盤

PCL
不迴轉
真空吸盤

PAR
擺動
支架組

PS
非接觸式
吸盤

PS
非接觸式
吸盤

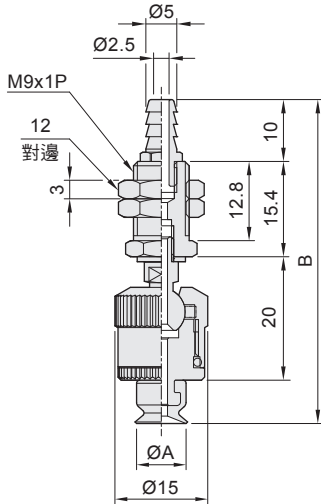


真空吸盤 / 單層吸盤

外觀圖形尺寸 - PAF-R 系列 / 直立配管-附擺動支架組

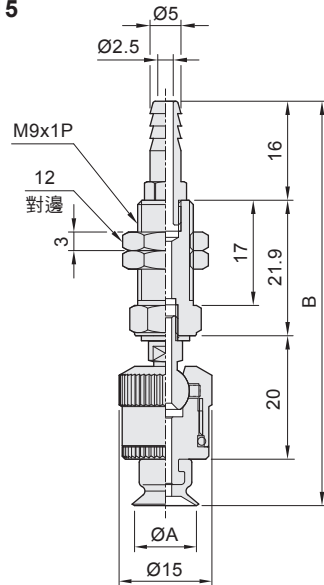
氣立可空氣壓設備

◎ Ø5、Ø6、Ø8



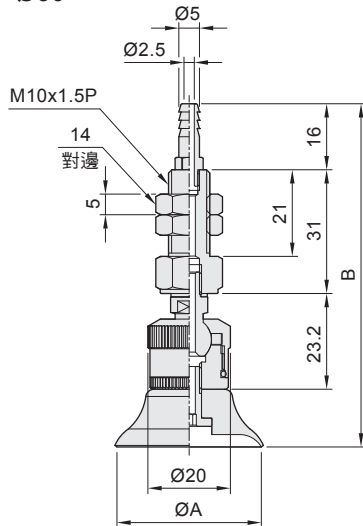
| 吸盤形式 | 項目 | 盤徑 A | 全長 B | 配合管尺寸 |
|------|----------|------|------|--------------|
| 圓形吸盤 | PAF-05-R | Ø5 | 51.9 | PU管 6 x 4 |
| | PAF-06-R | Ø6 | 51.9 | |
| | PAF-08-R | Ø8 | 52.4 | |

◎ Ø10、Ø15



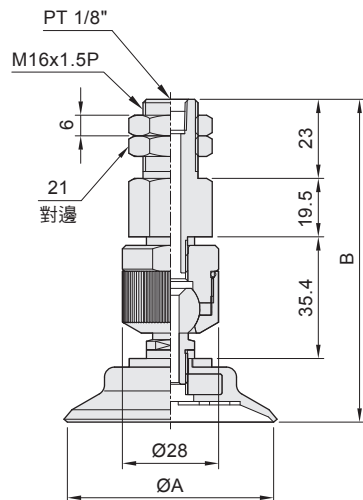
| 吸盤形式 | 項目 | 盤徑 A | 全長 B | 配合管尺寸 |
|------|----------|------|------|--------------|
| 圓形吸盤 | PAF-10-R | Ø10 | 65.4 | PU管 6 x 4 |
| | PAF-15-R | Ø15 | 65.9 | |

◎ Ø20 ~ Ø50



| 吸盤形式 | 項目 | 盤徑 A | 全長 B | 配合管尺寸 |
|------|----------|------|------|--------------|
| 圓形吸盤 | PAF-20-R | Ø20 | 79.2 | PU管 6 x 4 |
| | PAF-25-R | Ø25 | 83.2 | |
| | PAF-30-R | Ø30 | 81.2 | |
| | PAF-35-R | Ø35 | 83.2 | |
| | PAF-40-R | Ø40 | 83.2 | |
| | PAF-50-R | Ø50 | 84.2 | |

◎ Ø60 ~ Ø80



| 吸盤形式 | 項目 | 盤徑 A | 全長 B | 配合管尺寸 |
|------|----------|------|------|---------|
| 圓形吸盤 | PAF-60-R | Ø60 | 94 | Rc 1/8" |
| | PAF-80-R | Ø80 | 96 | |

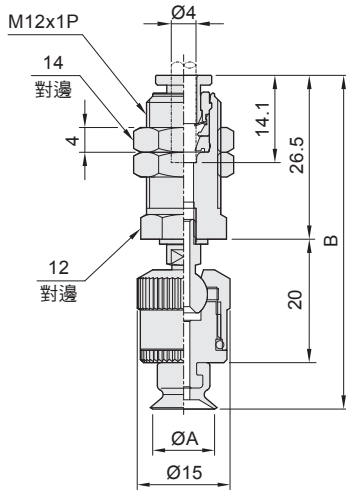


真空吸盤 / 單層吸盤

外觀圖形尺寸 - PAK-R 系列 / 直立配管附接頭型 - 附擺動支架組

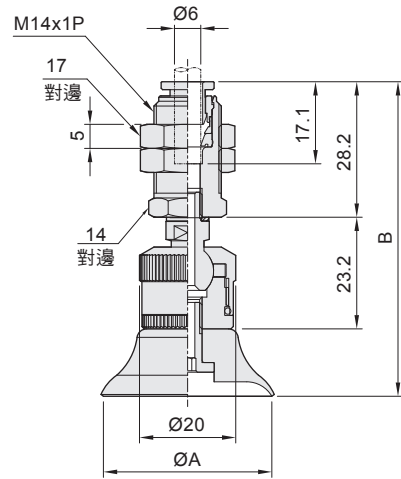
CHELIC

◎ Ø10、Ø15



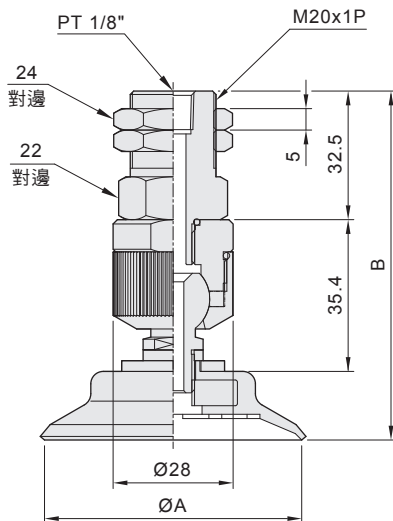
| 吸盤形式 | 項目 | 盤徑 A | 全長 B | 配合管尺寸 |
|------|----------|------|------|--------------|
| 圓形吸盤 | PAK-10-R | Ø10 | 54 | PU管 6 x 4 |
| | PAK-15-R | Ø15 | 54.5 | |

◎ Ø20 ~ Ø50



| 吸盤形式 | 項目 | 盤徑 A | 全長 B | 配合管尺寸 |
|------|----------|------|------|--------------|
| 圓形吸盤 | PAK-20-R | Ø20 | 61.4 | PU管 6 x 4 |
| | PAK-25-R | Ø25 | 65.4 | |
| | PAK-30-R | Ø30 | 64.4 | |
| | PAK-35-R | Ø35 | 65.4 | |
| | PAK-40-R | Ø40 | 65.4 | |
| | PAK-50-R | Ø50 | 66.4 | |

◎ Ø60、Ø80



| 吸盤形式 | 項目 | 盤徑 A | 全長 B | 配合管尺寸 |
|------|----------|------|------|---------|
| 圓形吸盤 | PAK-60-R | Ø60 | 81.5 | Rc 1/8" |
| | PAK-80-R | Ø80 | 83.5 | |

PA
真空吸盤
單層型

PB
真空吸盤
雙層型

PC
真空吸盤
三層型

PAG
薄型吸盤

PAO
防滑吸盤

PAW
橢圓型吸盤

PAP
平板型吸盤

PAQ
無痕型吸盤

PAL
不迴轉
真空吸盤

PBL
不迴轉
真空吸盤

PCL
不迴轉
真空吸盤

PAR
擺動
支架組

PS
非接觸式
吸盤

PS
非接觸式
吸盤

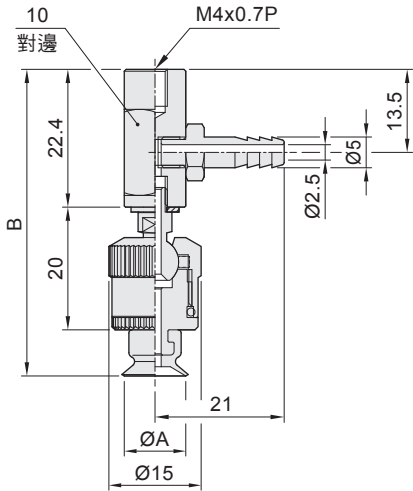


真空吸盤 / 單層吸盤

外觀圖形尺寸 - **PAT-R** 系列 / 側向配管-附擺動支架組

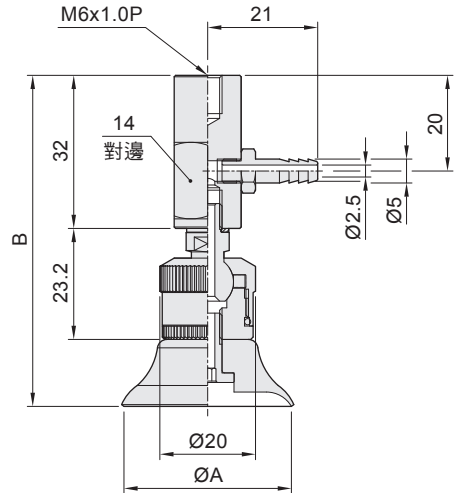
氣立可空氣壓設備

◎ Ø5 ~ Ø15



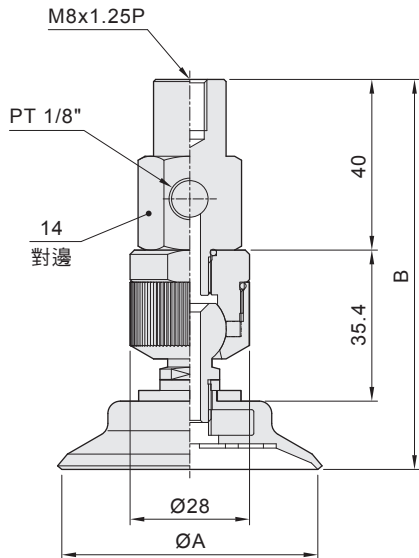
| 吸盤形式 | 項目 | 盤徑 A | 全長 B | 配合管尺寸 |
|------|----------|------|------|--------------|
| 圓形吸盤 | PAT-05-R | Ø5 | 51.9 | PU管 6 x 4 |
| | PAT-06-R | Ø6 | 52.4 | |
| | PAT-08-R | Ø8 | 52.4 | |
| | PAT-10-R | Ø10 | 55.9 | |
| | PAT-15-R | Ø15 | 62.9 | |

◎ Ø20 ~ Ø50



| 吸盤形式 | 項目 | 盤徑 A | 全長 B | 配合管尺寸 |
|------|----------|------|------|--------------|
| 圓形吸盤 | PAT-20-R | Ø20 | 65.2 | PU管 6 x 4 |
| | PAT-25-R | Ø25 | 69.2 | |
| | PAT-30-R | Ø30 | 67.2 | |
| | PAT-35-R | Ø35 | 69.2 | |
| | PAT-40-R | Ø40 | 69.2 | |
| | PAT-50-R | Ø50 | 70.2 | |

◎ Ø60、Ø80



| 吸盤形式 | 項目 | 盤徑 A | 全長 B | 配合管尺寸 |
|------|----------|------|------|---------|
| 圓形吸盤 | PAT-60-R | Ø60 | 91.5 | Rc 1/8" |
| | PAT-80-R | Ø80 | 93.5 | |

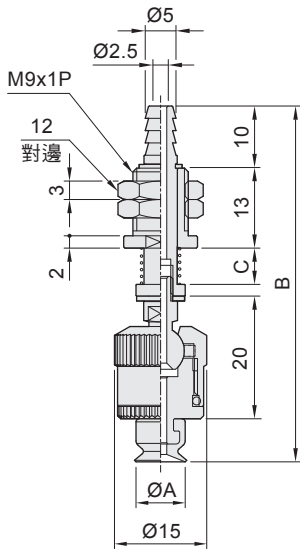


真空吸盤 / 單層吸盤

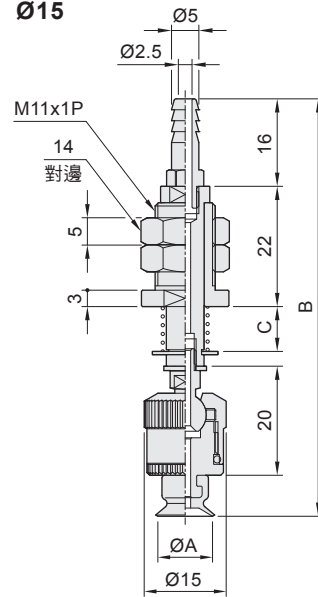
外觀圖形尺寸 - PAFS-R 系列 / 直立配管附彈簧型 - 附擺動支架組

CHELIC

◎ Ø5、Ø6、Ø8



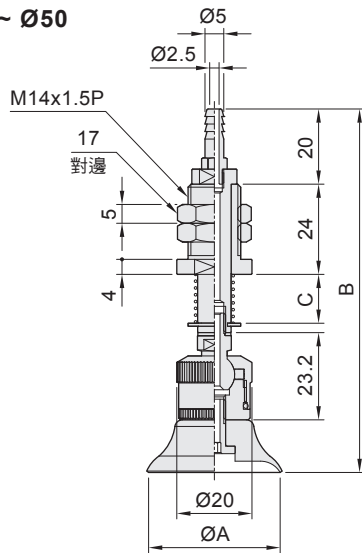
◎ Ø10、Ø15



| 吸盤形式 | 項目 | 盤徑 A | 行程 3 | | 行程 10 | | 配合管尺寸 | 彈簧壓縮長度 |
|------|-----------|------|------|---|-------|----|--------------|--------|
| | | | B | C | B | C | | |
| 圓形吸盤 | PAFS-05-R | Ø5 | 57.4 | 6 | 71.4 | 20 | PU管 6 x 4 | 3, 10 |
| | PAFS-06-R | Ø6 | 57.4 | 6 | 71.4 | 20 | | |
| | PAFS-08-R | Ø8 | 57.9 | 6 | 71.9 | 20 | | |

| 吸盤形式 | 項目 | 盤徑 A | 行程 4 | | 行程 10 | | 配合管尺寸 | 彈簧壓縮長度 |
|------|-----------|------|------|---|-------|----|--------------|--------|
| | | | B | C | B | C | | |
| 圓形吸盤 | PAFS-10-R | Ø10 | 76.4 | 8 | 88.4 | 20 | PU管 6 x 4 | 4, 10 |
| | PAFS-15-R | Ø15 | 76.9 | 8 | 88.9 | 20 | | |

◎ Ø20 ~ Ø50



| 吸盤形式 | 項目 | 盤徑 A | 行程 6 | | 行程 15 | | 配合管尺寸 | 彈簧壓縮長度 |
|------|-----------|------|------|----|-------|----|--------------|--------|
| | | | B | C | B | C | | |
| 圓形吸盤 | PAFS-20-R | Ø20 | 92.7 | 13 | 109.7 | 30 | PU管 6 x 4 | 6, 15 |
| | PAFS-25-R | Ø25 | 96.7 | 13 | 113.7 | 30 | | |
| | PAFS-30-R | Ø30 | 94.7 | 13 | 111.7 | 30 | | |
| | PAFS-35-R | Ø35 | 96.7 | 13 | 113.7 | 30 | | |
| | PAFS-40-R | Ø40 | 96.7 | 13 | 113.7 | 30 | | |
| | PAFS-50-R | Ø50 | 97.7 | 13 | 114.7 | 30 | | |

PA
真空吸盤
單層型

PB
真空吸盤
雙層型

PC
真空吸盤
三層型

PAG
薄型吸盤

PAO
防污吸盤

PAW
橢圓型吸盤

PAP
平板型吸盤

PAQ
無痕型吸盤

PAL
不迴轉
真空吸盤

PBL
不迴轉
真空吸盤

PCL
不迴轉
真空吸盤

PAR
擺動
支架組

PS
非接觸式
吸盤

PS
非接觸式
吸盤

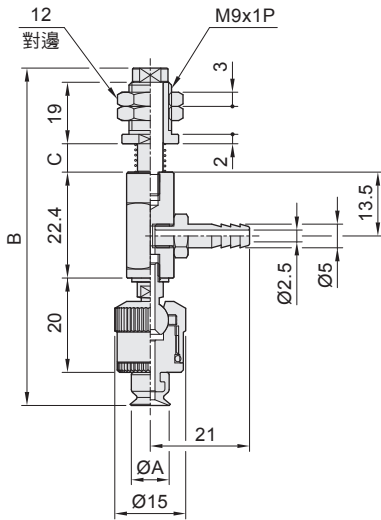


真空吸盤 / 單層吸盤

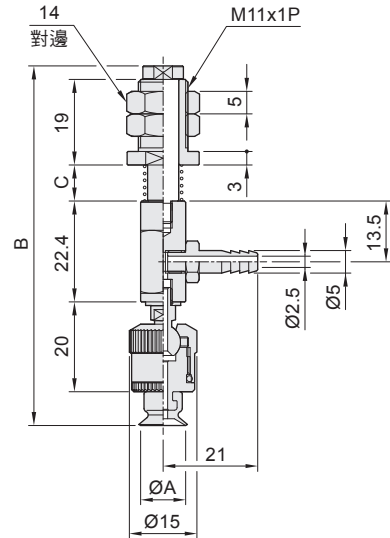
外觀圖形尺寸 - PATS-R 系列 / 側向配管附彈簧型 - 附擺動支架組

氣立可空氣壓設備

◎ Ø5、Ø6、Ø8



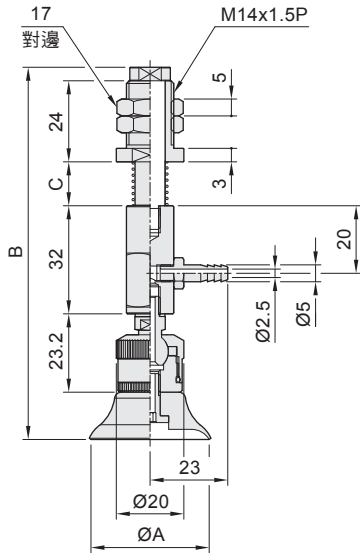
◎ Ø10、Ø15



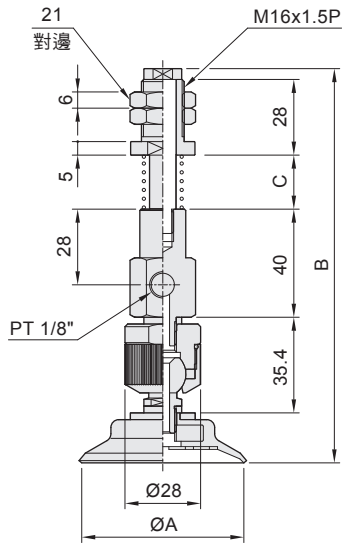
| 吸盤形式 | 項目 | 盤徑 A | 行程 3 | | 行程 10 | | 配合管尺寸 | 彈簧壓縮長度 |
|------|-----------|------|------|---|-------|----|--------------|--------|
| 圓形吸盤 | PATS-05-R | Ø5 | 70.9 | 6 | 84.9 | 20 | PU管 6 x 4 | 3, 10 |
| | PATS-06-R | Ø6 | 70.9 | 6 | 84.9 | 20 | | |
| | PATS-08-R | Ø8 | 71.4 | 6 | 85.4 | 20 | | |

| 吸盤形式 | 項目 | 盤徑 A | 行程 4 | | 行程 10 | | 配合管尺寸 | 彈簧壓縮長度 |
|------|-----------|------|------|---|-------|----|--------------|--------|
| 圓形吸盤 | PATS-10-R | Ø10 | 80 | 8 | 92 | 20 | PU管 6 x 4 | 4, 10 |
| | PATS-15-R | Ø15 | 80.5 | 8 | 92.5 | 20 | | |

◎ Ø20 ~ Ø50



◎ Ø60、Ø80



| 吸盤形式 | 項目 | 盤徑 A | 行程 6 | | 行程 15 | | 配合管尺寸 | 彈簧壓縮長度 |
|------|-----------|------|-------|----|-------|----|--------------|--------|
| 圓形吸盤 | PATS-20-R | Ø20 | 106.2 | 13 | 123.2 | 30 | PU管 6 x 4 | 6, 15 |
| | PATS-25-R | Ø25 | 110.2 | 13 | 127.2 | 30 | | |
| | PATS-30-R | Ø30 | 108.2 | 13 | 125.2 | 30 | | |
| | PATS-35-R | Ø35 | 110.2 | 13 | 127.2 | 30 | | |
| | PATS-40-R | Ø40 | 110.2 | 13 | 127.2 | 30 | | |
| | PATS-50-R | Ø50 | 111.2 | 13 | 127.2 | 30 | | |

| 吸盤形式 | 項目 | 盤徑 A | 行程 10 | | 行程 30 | | 配合管尺寸 | 彈簧壓縮長度 |
|------|-----------|------|-------|----|-------|----|---------|--------|
| 圓形吸盤 | PATS-60-R | Ø60 | 146 | 20 | 186 | 60 | Rc 1/8" | 10, 30 |
| | PATS-80-R | Ø80 | 148 | 20 | 188 | 60 | | |