

SPECIFICATIONS

[General Specifications]

Model	5 tiers	MR6-502□※1-△△△△△※2
	4 tiers	MR6-402□-△△△△
	3 tiers	MR6-302□-△△△
	2 tiers	MR6-202□-△△
	1 tier	MR6-102□-△
UL Registered Model		-
Rated Voltage		24 V DC
Operating Voltage Range		Rated Voltage ±10%
Signal Wire Current	Typ.	Per Unit
		Red: 44.3mA Amber: 37.0mA Green: 35.8mA Blue: 34.0mA White: 37.0mA Buzzer: 7.7mA
	Max.	Per Unit
		Red: 60.0mA Amber: 60.0mA Green: 60.0mA Blue: 60.0mA White: 60.0mA Buzzer: 15.0mA
Rated Power Consumption	Typ.	Per Unit
		Red: 1.06W Amber: 0.89W Green: 0.84W Blue: 0.82W White: 0.89W Buzzer: 0.19W
	Max.	Per Unit
		Red: 1.59W Amber: 1.59W Green: 1.59W Blue: 1.59W White: 1.59W Buzzer: 0.40W
Operating Ambient Temperature		-20 °C to +50 °C
Operating Ambient Humidity		Less than 90 % (No condensation)
Storage Ambient Temperature		-30 °C to +65 °C
Storage Ambient Humidity		Less than 90 % (No condensation)
Mounting Location		Indoors
Mounting Direction		Upright
Protection Rating		【No Buzzer】IP 65 (IEC 60529) 【Buzzer】IP 54 (IEC 60529)
Environmental Condition		-
Vibration Resistance		19.6m/s ² (at 30Hz) (IEC 60068-2-6)
Insulation Resistance		More than 1MΩ at 500VDC between the terminals and the chassis
Withstand Voltage		500VAC applied for 1min between terminals and chassis without breaking insulation
Flashing Rate		-
Sound Pressure Level		Min : 90 dB
Environmental Condition		Front direction from the center/at 30cm
Mass (Tolerance ±10%)		【No Buzzer】 1 tier: 245g 2 tiers: 285g 3 tiers: 330g 4 tiers: 370g 5 tiers: 415g 【Buzzer】 1 tier: 260g 2 tiers: 300g 3 tiers: 345g 4 tiers: 385g 5 tiers: 430g
Outer Dimensions		Refer to the Outer Dimension Drawing
Conformity Standards		EMC Directive (EN 61000-6-4, EN 61000-6-2) RoHS Directive (EN 50581)
Remarks		※1: □=B/(Blank) (B=Buzzer,Blank=Lighting only) ※2: △=R/Y/G/B/C (LED Unit Color: R=Red, Y=Amber, G=Green, B=Blue, C=White) ※3: About "△△△△△" is LED Color Location, from Left side to right side means Top to Bottom.

No. MR6 - 502 - W18C -1_2

PATLITE Corporation

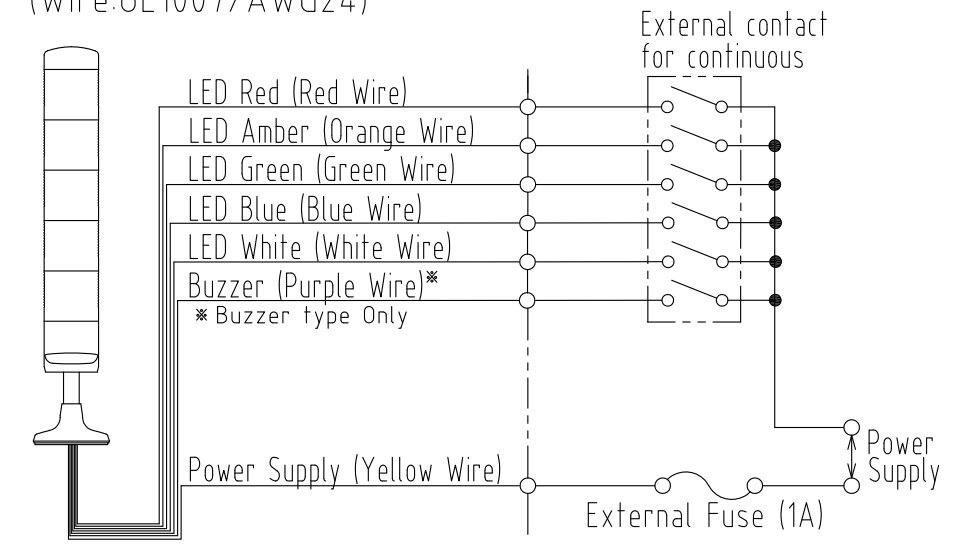
指定公差 General tolerance	角度公差 Angular tolerance ±[°]	寸法公差 Dimensional tolerance ±[mm]	符号 Sym.	年月日 Date	訂正履歴 Revisions	記印 Sgn.	検印 Chk.	承認 App.
短辺長さ Length of short side	~ ~ ~ 100	6 30 120 300 1000	△-					
精 f	10 50 100 ~	精 f 0.05 0.1 0.2 0.4 0.6	△-					
中 m	1 0.5 0.3 0.1	中 m 0.1 0.3 0.5 0.7 1	△-					
粗 v	3 1.5 1 0.5	粗 c 0.3 0.5 1 1.2 2	△-					

Model No. configuration

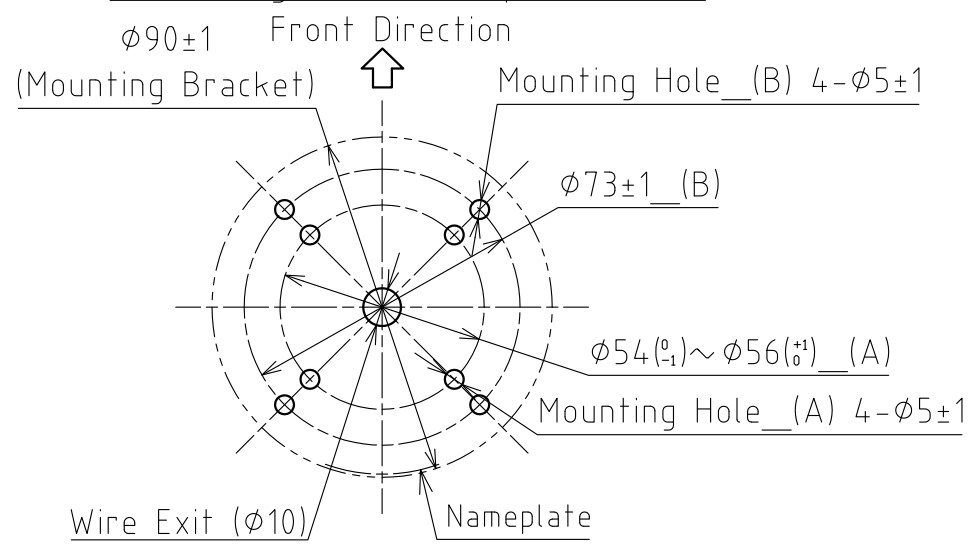
MR6-□ 02B-□□□□□

- Light Style
 - 1:1 Tier
 - 2:2 Tiers
 - 3:3 Tiers
 - 4:4 Tiers
 - 5:5 Tiers
- LED Unit Color
(R:Red / Y:Amber / G:Green / B:Blue / C:White)
* Lens color from top to bottom
- Type
 - B:Continuous Light and Alarm
 - Blank:Continuous Light
- Rated Voltage
 - 02:24V DC

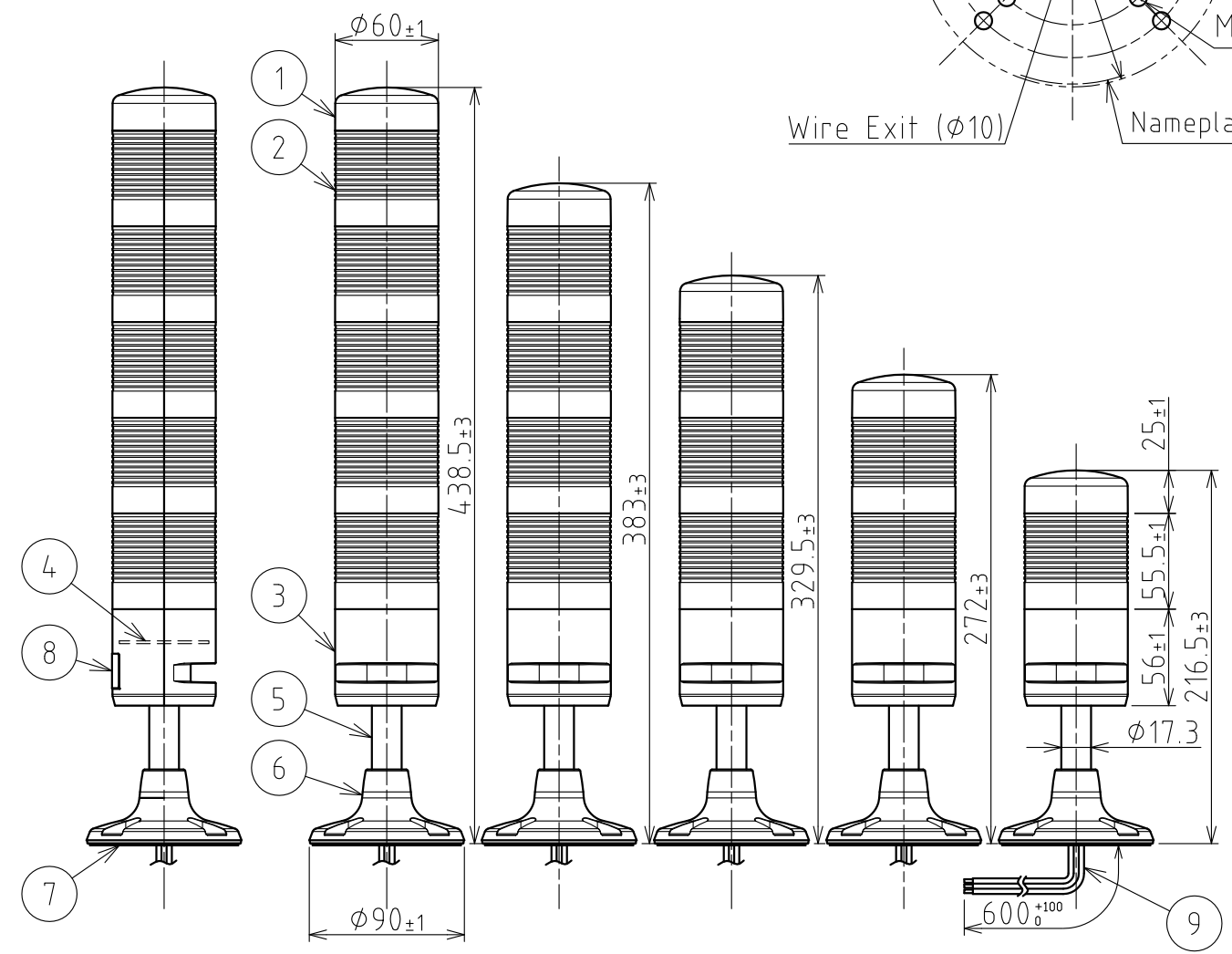
Wiring Example
(Wire:UL1007/AWG24)



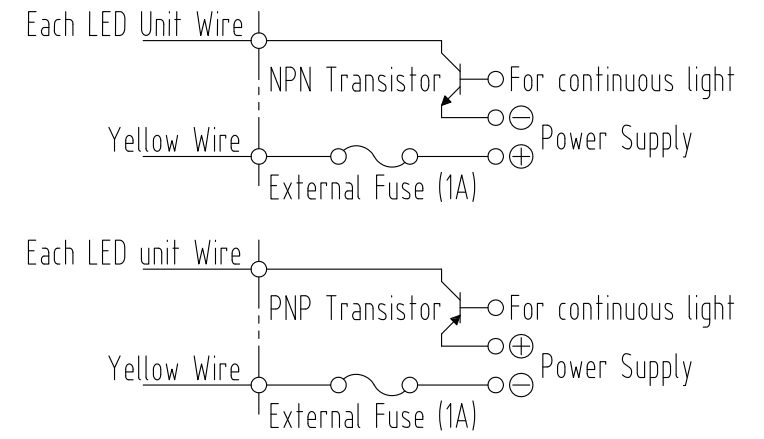
Mounting Hole Template (1:2)



Dimensions



Transistor Drive Example (24V DC)



9	Power Wire Assembly		1		
8	Nameplate		1		
7	Water Proof Packing		1	CR	Black
6	Mounting Bracket		1	ABS	Light Gray
5	Pole		1	AL	
4	Buzzer PCB Assembly		1	(Buzzer type only)	
3	Body		1	ABS	Light Gray
2	LED Unit		1~5	PC(Red,Amber,Green,Blue,White)	
1	Head Cover		1	ABS	Light Gray
番号 No.	部品名 Part Name	品目コード Part No.	数量 Qty.	材料 & 寸法 & 処理 Material & Size & Finish	記事 Remarks

図名 Name Specifications		機種名 Model MR6-□ 02(B)		特注 No. S.P.No.	
Outer Dimension Drawing				品目コード Part No.	
三角法 3rd Angle P.		単位 Unit mm		尺度 Scale ---	
株式会社 パトライト PATLITE Corporation			図番 Drawing No. MR6-502-W18C-2_2		