

# SPECIFICATIONS

[General Specifications]

Model	5 tiers	MR4-502□※1-△△△△△※2※3
	4 tiers	MR4-402□-△△△△
	3 tiers	MR4-302□-△△△
	2 tiers	MR4-202□-△△
	1 tier	MR4-102□-△
UL Registered Model		MR4-_02 MR4-_02B
Rated Voltage		24 V DC
Operating Voltage Range		Rated Voltage ±10%
Signal Wire Current	Typ.	Per Unit
		Red: 22.5mA    Amber: 21.5mA    Green: 18.0mA    Blue: 19.0mA    White: 21.5mA Buzzer: 11.0mA
	Max.	Per Unit
		Red: 30.0mA    Amber: 30.0mA    Green: 30.0mA    Blue: 30.0mA    White: 30.0mA Buzzer: 18.0mA
Rated Power Consumption	Typ.	Per Unit
		Red: 0.54W    Amber: 0.52W    Green: 0.43W    Blue: 0.46W    White: 0.52W Buzzer: 0.27W
	Max.	Per Unit
		Red: 0.72W    Amber: 0.72W    Green: 0.72W    Blue: 0.72W    White: 0.72W Buzzer: 0.44W
Operating Ambient Temperature		-20 °C to +50 °C
Operating Ambient Humidity		Less than 90 % (No condensation)
Storage Ambient Temperature		-30 °C to +65 °C
Storage Ambient Humidity		Less than 90 % (No condensation)
Mounting Location		Indoors
Mounting Direction		Upright
Protection Rating		【No Buzzer】IP 65 (IEC 60529)    【Buzzer】IP 54 (IEC 60529)
Environmental Condition		Upright Installation
Vibration Resistance		Sweep Durability: Totalamplitude: 0.3 mm <sub>p-p</sub> (10 - 57.5 Hz), Acceleration: 20.0 m/s <sup>2</sup> (57.5 - 150 Hz) Fixed pitch durability: Acceleration 20.0 m/s <sup>2</sup> (IEC 60068-2-6)
Environmental Condition		Upright Installation
Insulation Resistance		More than 1MΩ at 500VDC between the terminals and the chassis
Withstand Voltage		500VAC applied for 1min between terminals and chassis without breaking insulation
Flashing Rate		-
Sound Pressure Level		Typ. : 90 dB
Environmental Condition		Front direction from the center/at 30cm
Mass (Tolerance ±10%)		【No Buzzer】 1 tier: 195g 2 tiers: 235g 3 tiers: 275g 4 tiers: 315g 5 tiers: 355g 【Buzzer】 1 tier: 200g 2 tiers: 240g 3 tiers: 280g 4 tiers: 320g 5 tiers: 360g
Outer Dimensions		Refer to the Outer Dimension Drawing
Conformity Standards		EMC Directive (EN 61000-6-4, EN 61000-6-2) RoHS Directive (EN 50581) UL 508, CSA-C22.2 No. 14
Remarks		※1: □=B/(Non) (B = Continuous Light and Buzzer, (Non) = Continuous Lighting) ※2: △=R/Y/G/B/C (LED Unit Color: R=Red, Y=Amber, G=Green, B=Blue, C=White) ※3: About “△△△△△” is LED Color Location, from Left side to right side means Top to Bottom.

No. MR4 - 502 - W18A - 1\_2

## PATLITE Corporation

指定 公差 General tolerance	角度公差 ±[°] Angular tolerance ±[°]				寸法公差 ±[mm] Dimensional tolerance ±[mm]						符号 Sym.	年月日 Date	訂正履歴 Revisions			記印 Sgn.	検印 Chk.	承認 App.
	短辺 長さ Length of short side	~	~	100	6	30	120	300	1000	△			-					
精 f	10	50	100	~	精 f	0.05	0.1	0.2	0.4	0.6	△	-						
中 m	1	0.5	0.3	0.1	中 m	0.1	0.3	0.5	0.7	1	△	-						
粗 c	3	1.5	1	0.5	粗 c	0.3	0.5	1	1.2	2	△	-						

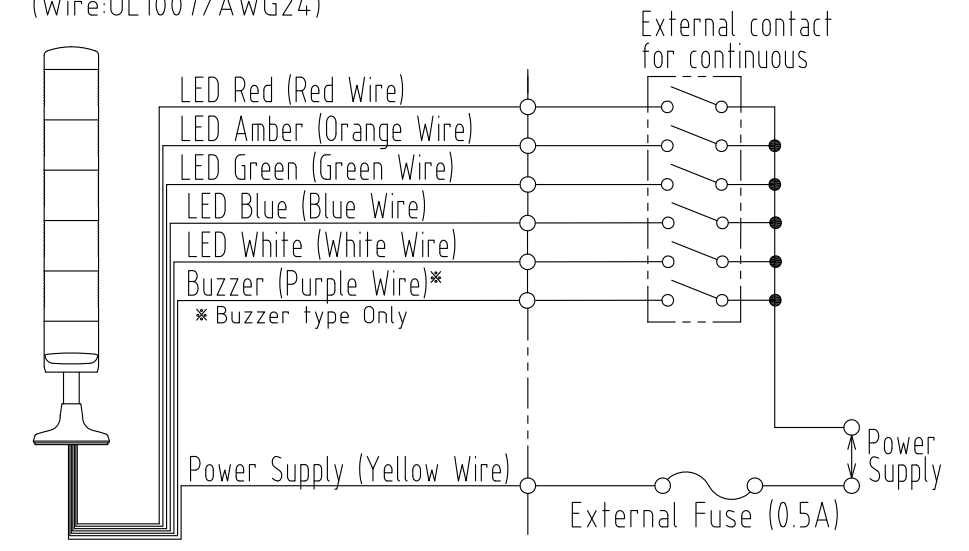
### Model No. Configuration

MR4-□02B-□□□□□

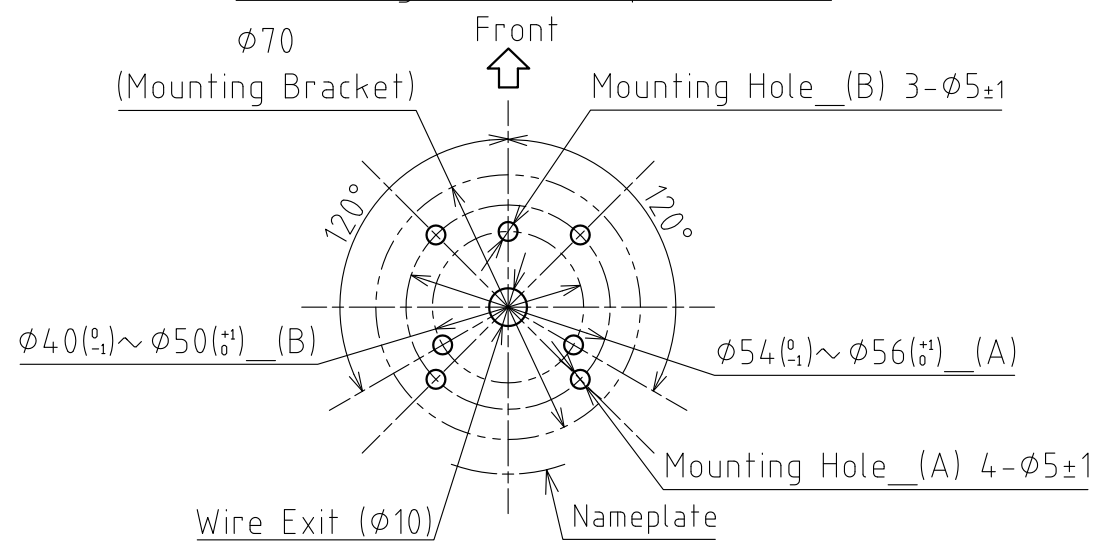
- Light Style
  - 1:1 Tiers
  - 2:2 Tiers
  - 3:3 Tiers
  - 4:4 Tiers
  - 5:5 Tiers
- LED Unit Color  
(R:Red / Y:Amber / G:Green / B:Blue / C:White)  
\* Lens color from top to bottom
- Light and Buzzer method  
B: Continuous Light and Buzzer  
None: Continuous Lighting
- Rated Voltage  
02:24V DC

### Wiring Example

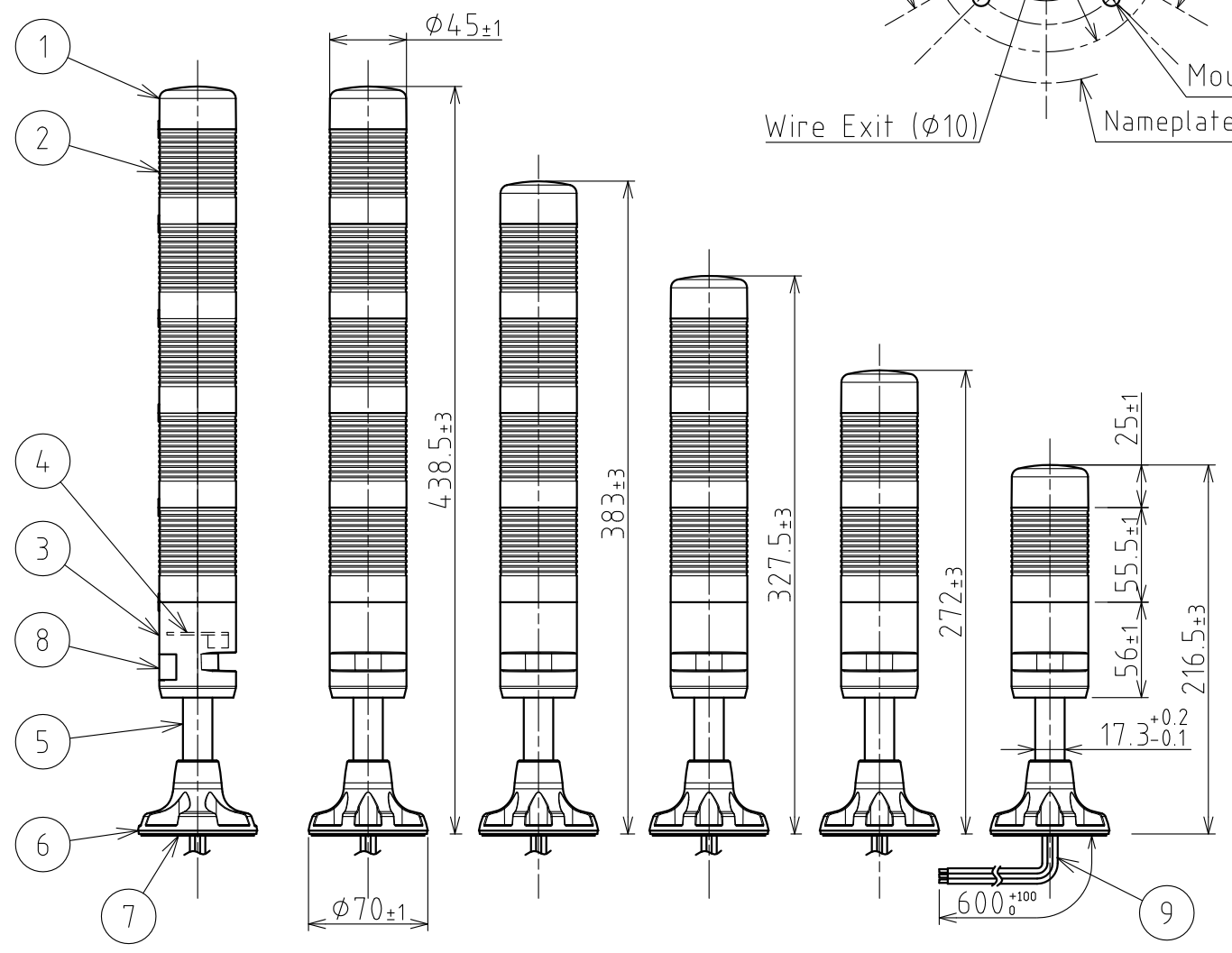
(Wire:UL1007/AWG24)



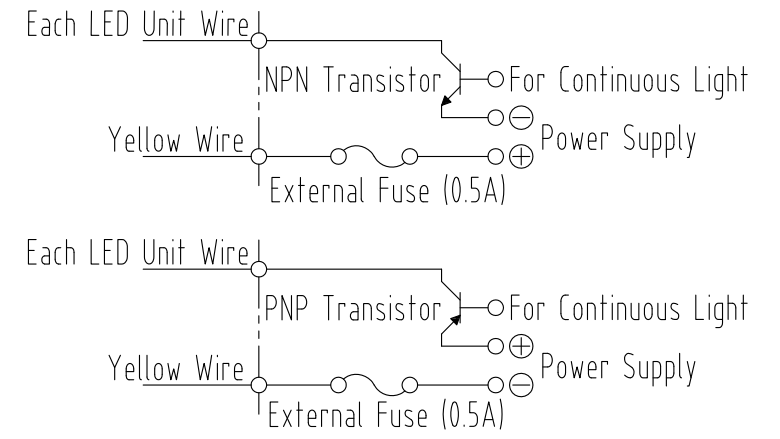
### Mounting Hole Template (1:2)



### Dimensions



### Transistor Drive Example (24V DC)



9	Power Wire Assembly		1		
8	Nameplate		1		
7	Water Proof Packing		1	CR	Black
6	Mounting Bracket		1	ABS	Light Gray
5	Pole		1	AL, L=100	Silver
4	Buzzer PCB Assembly		1	(Buzzer type only)	
3	Body		1	ABS	Light Gray
2	LED Unit Assembly		1~5	PC(Red,Amber,Green,Blue,White)	
1	Head Cover		1	ABS	Light Gray

番号 No.	部品名 Part Name	品目コード Part No.	数量 Qty.	材料 & 寸法 & 処理 Material & Size & Finish	記事 Remarks
		図名 Name	Specifications		機種名 Model
				MR4-□02(B)	特注No. S.P.No.
		Dimensions		品目コード Part No.	
三角法 3rd Angle P.		単位 Unit mm	尺度 Scale ---	株式会社 パトライト PATLITE Corporation	
		図番 Drawing No.		MR4-502-W18A-2_2	