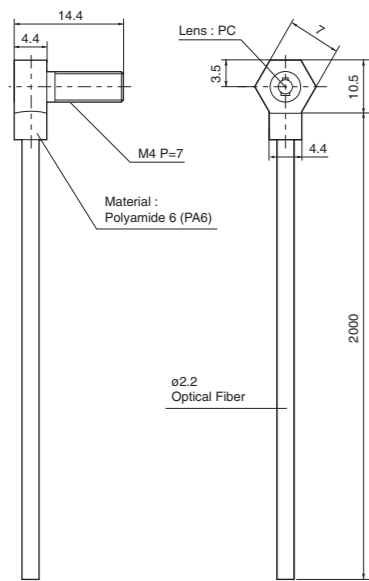
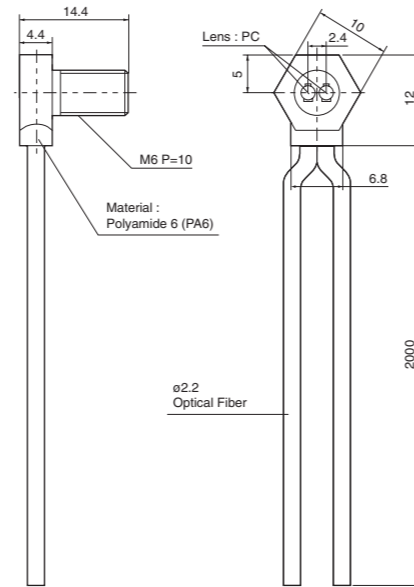


Dimensions (mm)

Thru-Beam Type



Diffuse Reflective Type



Sensing Distance

Thru-Beam Type

Type	Distance / Response	Radius	Operating Temp.	
D2RF				
NF25-T	Standard	R25	-40C°~70C°	
	60µs			200
	250µs			600
NF25-TH	High temperature	R25	-40C°~105C°	
	60µs			170
	250µs			500
NF02-TK	Tight bend	R2	-40C°~70C°	
	60µs			150
	250µs			500
D2GF				
NF25-T	Standard	R25	-40C°~70C°	
	60µs			100
	250µs			250
NF25-TH	High temperature	R25	-40C°~105C°	
	60µs			40
	250µs			120
NF02-TK	Tight bend	R2	-40C°~70C°	
	60µs			70
	250µs			250
BRF				
NF25-T	Standard	R25	-40C°~70C°	
	60µs			350
	250µs			350
NF25-TH	High temperature	R25	-40C°~105C°	
	60µs			300
	250µs			300
NF02-TK	Tight bend	R2	-40C°~70C°	
	60µs			270
	250µs			270
BGF				
NF25-T	Standard	R25	-40C°~70C°	
	60µs			150
	250µs			150
NF25-TH	High temperature	R25	-40C°~105C°	
	60µs			100
	250µs			100
NF02-TK	Tight bend	R2	-40C°~70C°	
	60µs			130
	250µs			130
BRF-H				
NF25-T	Standard	R25	-40C°~70C°	
	60µs			150
	250µs			150
NF25-TH	High temperature	R25	-40C°~105C°	
	60µs			130
	250µs			130
NF02-TK	Tight bend	R2	-40C°~70C°	
	60µs			130
	250µs			130

Diffuse Reflective Type

Type	Distance / Response	Radius	Operating Temp.	
D2RF				
NF25-D	Standard	R25	-40C°~70C°	
	60µs			25
	250µs			80
NF25-DH	High temperature	R25	-40C°~105C°	
	60µs			25
	250µs			80
NF02-DK	Tight bend	R2	-40C°~70C°	
	60µs			10
	250µs			45
D2GF				
NF25-D	Standard	R25	-40C°~70C°	
	60µs			5
	250µs			25
NF25-DH	High temperature	R25	-40C°~105C°	
	60µs			-
	250µs			9
NF02-DK	Tight bend	R2	-40C°~70C°	
	60µs			-
	250µs			10
BRF				
NF25-D	Standard	R25	-40C°~70C°	
	60µs			45
	250µs			45
NF25-DH	High temperature	R25	-40C°~105C°	
	60µs			45
	250µs			45
NF02-DK	Tight bend	R2	-40C°~70C°	
	60µs			15
	250µs			15
BGF				
NF25-D	Standard	R25	-40C°~70C°	
	60µs			15
	250µs			15
NF25-DH	High temperature	R25	-40C°~105C°	
	60µs			10
	250µs			10
NF02-DK	Tight bend	R2	-40C°~70C°	
	60µs			10
	250µs			10
BRF-H				
NF25-D	Standard	R25	-40C°~70C°	
	60µs			15
	250µs			15
NF25-DH	High temperature	R25	-40C°~105C°	
	60µs			10
	250µs			10
NF02-DK	Tight bend	R2	-40C°~70C°	
	60µs			10
	250µs			10

Specifications are subject to change without prior notice.

Hex shaped fiber sensing head is ideal for space-savings and easy mounting.

Available in Standard, Tight Bend and High Temperature models.

90 degree Hex shaped fiber cables are ideal for use in areas where mounting space is limited. The plastic housing resists water and corrosion.



The NF25/02 fiber cables can be used with any Optex FA Amplifier.

D2RF series
Digital amplifier

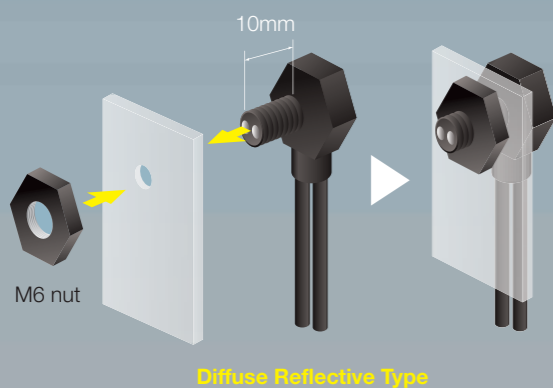
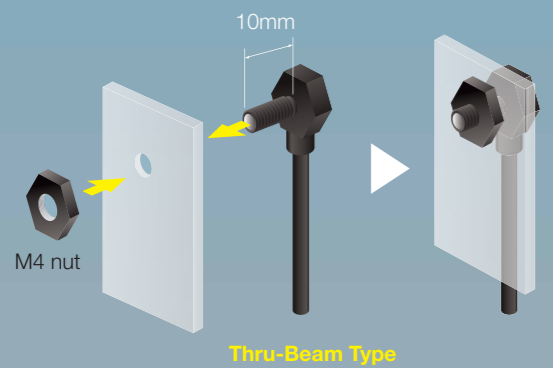
BRF series
Pot type economical amplifier

VRF-T series
Teach-in type amplifier



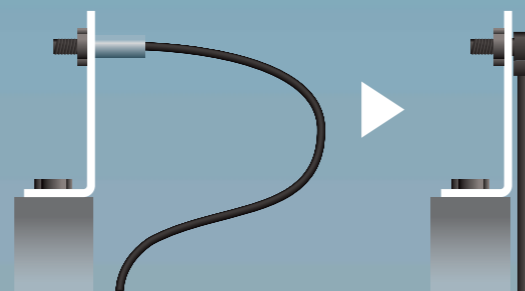
Easy Mounting

The NF25/02 fiber cables (M4 Thru-beam / M6 Diffuse Reflective) are easily mounted using the threaded tip. All that is required for mounting is a single nut. The threaded tip is sufficient in length to extend through most mounting surfaces.



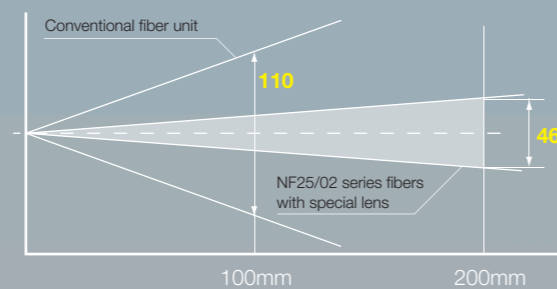
Space-saving installation

The design of the sensing head allows for installation in areas where a standard cable cannot be used.



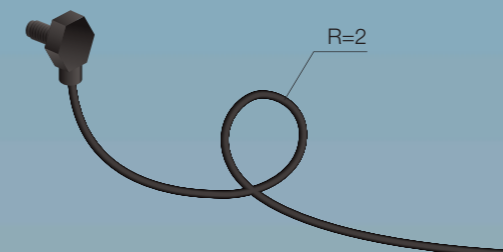
Narrow Beam Angle

The NF25/02 fiber cables have a lens mounted on the tip of the sensing head to project a narrow beam.



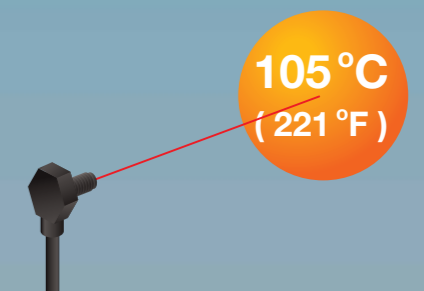
Tight Bend Type NF02 (R=2 mm)

The NF02 series can be bent to a 2 mm radius. This makes it ideal when mounting in areas where space is limited and helps to prevent the cable from becoming entangled with other parts of the equipment.



High Temperature Type NF25-H

The NF25-TH (Thru-beam) and NF25-DH type fibers are designed for use in high temperature applications. The cables are rated up to 105 degrees C (221 F).



IP67 Rating

Both the NF25 (Regular and High Temp) and the NF02 (Tight Bend) have a plastic housing, making them resistant to water and corrosion.



New Ergonomic Fiber Cutter

The NF25 and NF02 are free cut type fibers. The cutter that is included with the cable has been ergonomically designed to make cutting the cable quick and easy.

